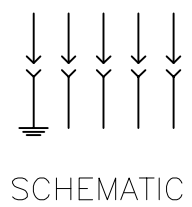
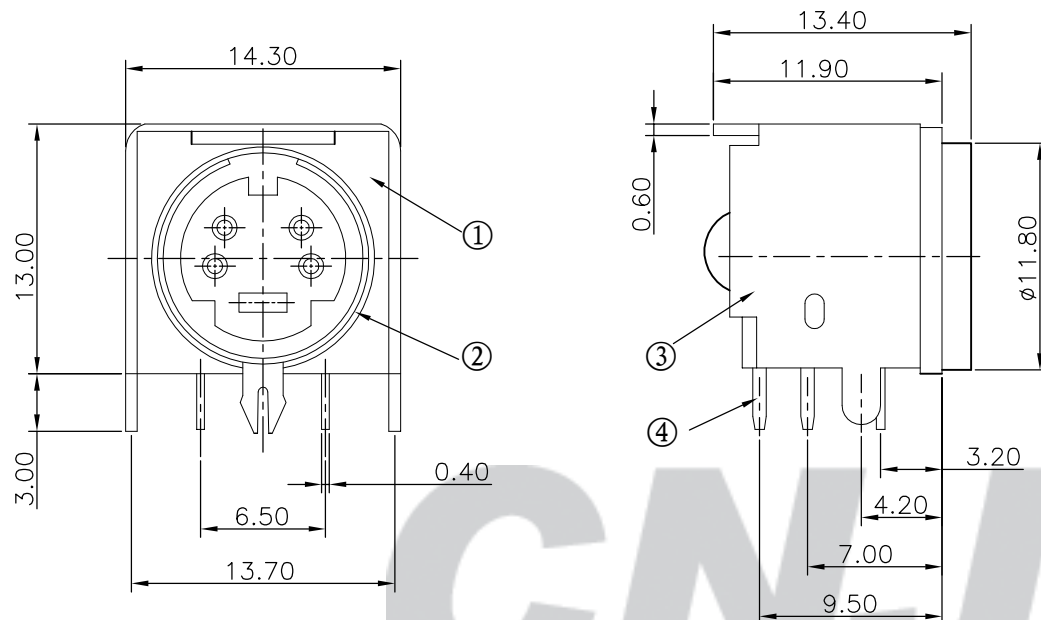


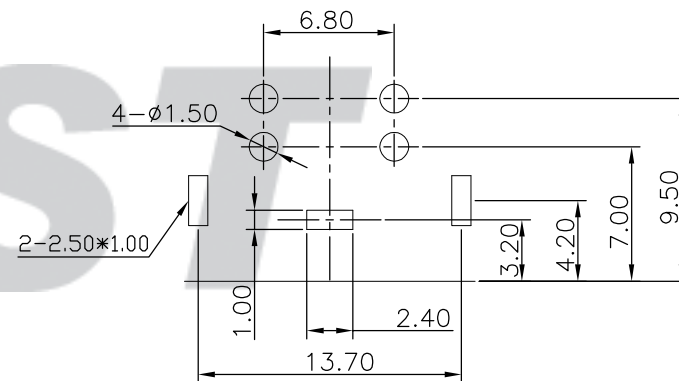
RoHS Compliant

成品图



SPECIFICATION

- 1 Contact resistance:  $\leq 30m\Omega$
- 2 Insulation resistance:  $\geq 50M\Omega$
- 3 Rated voltage: 12 V AC DC
- 4 Rated current: 2 A AC DC
- 5 Withstand Voltage: 500V AC/minute
- 6 Temperature Range:  $-25^{\circ}C \sim +70^{\circ}C$
- 7 Life:  $\geq 10000$  cycle



SUGGESTED PCB LAYOUT  
(COMPONENT SIDE)

4	Contact Pin	4	Brass, t=0.40	Tin-plated
3	Shielding Plate	1	Fe, t=0.60	Tin-plated
2	Shell	1	Brass, t=0.30	Tin-plated
1	Insulator	1	PBT	Nature (Black)
NO.	DESCRIPTION	QTY	MATERIAL	PLATING/COLOR

Tolerance X.X ±0.30 X.XX ±0.20 X.XXX ±0.10 Angle ±3.0°	Model Name: DIN SOCKET		Drawn: 蔡忠忠 2016.04.12
	Model No: DSW-006		
UNIT: mm	SCALE: FULL	REVISION: B/0	Checked: 林旭芝
			Approved: 刘祚杰
<b>CNJST</b> 浙江捷仕泰电子有限公司 ZHEJIANG JIESHITAI ELECTRONIC CO., LTD			DWG NO. CNJST/GCCP-0007

B/0	2016.04.12	NEW RELEASE	
REV.	DATE	DESCRIPTION	APPD.
1	2	3	4