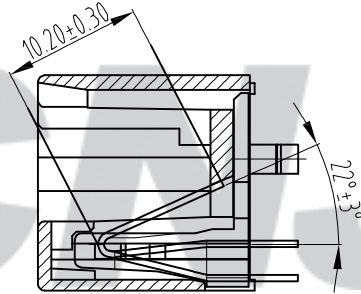
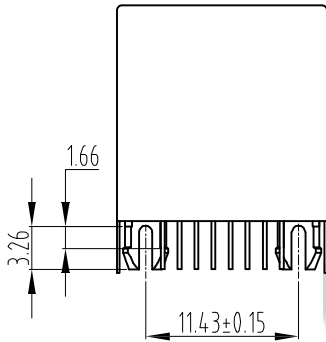
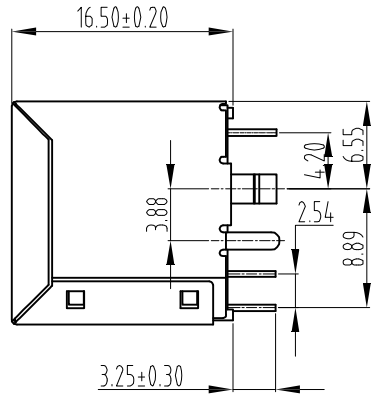
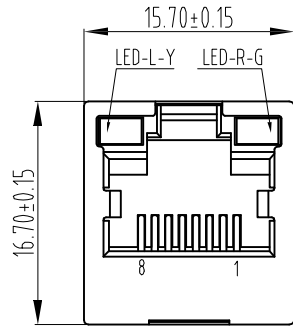
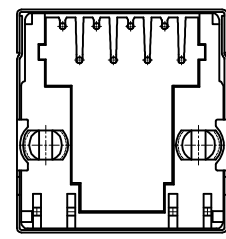


RoHS Compliant

成品图



内部金针示意图



NOTES:

MATERIAL:

- 1.HOUSING :GLASS FILLED POLYESTER UL94V-0
- 2.CONTACT (ROUND PIN  $\Phi$ 0.46mm) :PHOSPHOR BRONZE WITH GOLD PLATING OVER NICKEL.
- 3.SHIELD :0.20mm THICKNESS COPPER ALLOY WITH NICKEL PLATED.
- 4.LED :OPTION

ELECTRICAL:

- 1.VOLTAGE RATING :125V AC.
- 2.CURRENT RATING :1.5AMP.
- 3.CONTACT RESISTANCE :30 MILLIOHMS MAX.
- 4.INSULATION RESISTANCE :500 MEGOHMS MIN @ 500V DC.
- 5.DIELECTRIC WITHSTANDING VOLTAGE :1000V AC RMS 50Hz OR 60Hz. 1MIN.

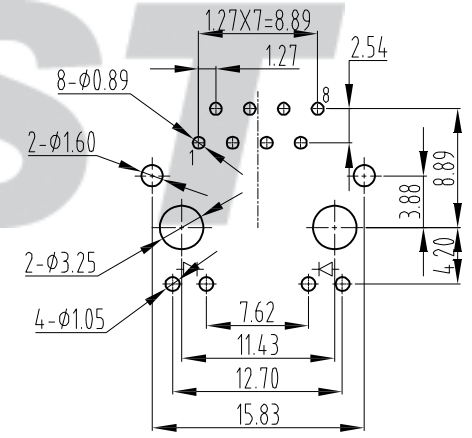
MECHANICAL:

- 1.INSETION FORCE :2.2Kg MAX.
- 2.RETENTION STRENGTH :7.7Kg BETWEEN JACK AND PLUG
- 3.DURABILITY :750 CYCLES MIN.

ENVIRONMENTAL:

- 1.STORAGE : -40°C ~ +85°C.
- 2.OPERATION : -40°C TO 85°C.

THE MARTS MODULAR PLUG CONFORMAING TO FCC PART68



PCB LAYOUT/TOP VIEW

REV.	DATE	DESCRIPTION	APPD.
B/0	2016.04.12	NEW RELEASE	

Tolerance X.X ±0.30 X.XX ±0.20 X.XXX ±0.10 Angle ±3.0°	Model Name: TOP ENTRY PCB JACK	Drawn: 蔡忠忠 2016.04.12 Checked: 林旭芝 Approved: 刘祚杰
	Model No: RJ45-08AB-003-WD	
UNIT: mm	SCALE: FULL REVISION: B/O	DWG NO. CNJST/GCWD-0019

**CNJST** 浙江捷仕泰电子有限公司  
ZHEJIANG JIESHITAI ELECTRONIC CO., LTD