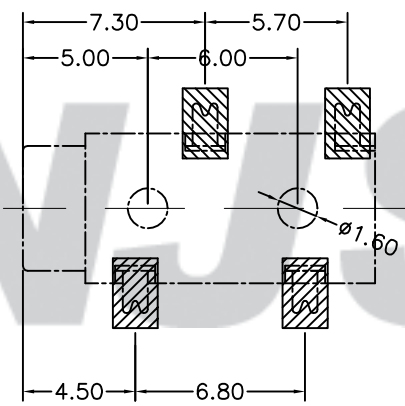
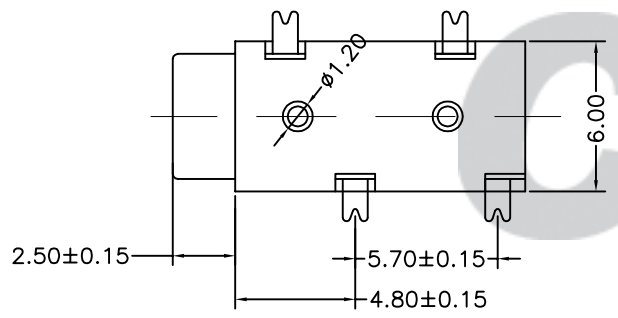
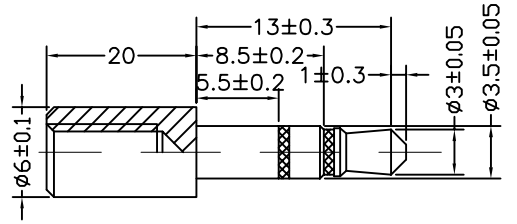
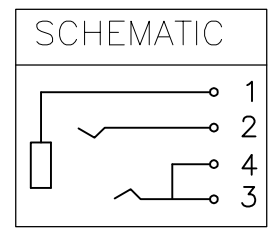
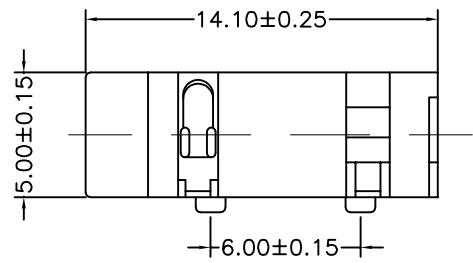
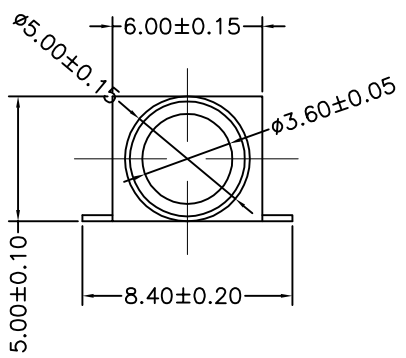


RoHS Compliant

成品图

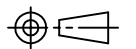


SPECIFICATION

- 1 Contact resistance: $\leq 30m\Omega$
- 2 Insulation resistance: $\geq 100M\Omega$
- 3 Rated voltage: 30 V AC DC
- 4 Rated current: 2.5 A AC DC
- 5 Withstand Voltage: 500V AC/minute
- 6 Temperature Range: $-20^{\circ}C \sim +70^{\circ}C$
- 7 Insertion and Unmating Force: 3-30N
- 8 Life test: 5000cycles min

REV.	DATE	DESCRIPTION	APPD.
B/02	2016.04.12	NEW RELEASE	

NO.	DESCRIPTION	QTY	MATERIAL	PLATING/COLOR
④	3号脚	1	Brass	Ag-plated
③	2号脚	1	Phosphor Bronze	Ag-plated
②	1号脚	1	Phosphor Bronze	Ag-plated
①	Insulator	1	PA9T	BLACK

Tolerance X.X ±0.30 X.XX ±0.20 X.XXX ±0.10 Angle ±3.0°	Model Name: JACK PHONE		SCALE: FULL	REVISION: B/0	Drawn: 蔡忠忠 2016.04.12
	Model No: PJ-327C				
UNIT: mm				Approved: 刘祚杰	DWG NO. CNJST/GCWD-0036
CNJST 浙江捷仕泰电子有限公司 ZHEJIANG JIESHITAI ELECTRONIC CO., LTD					