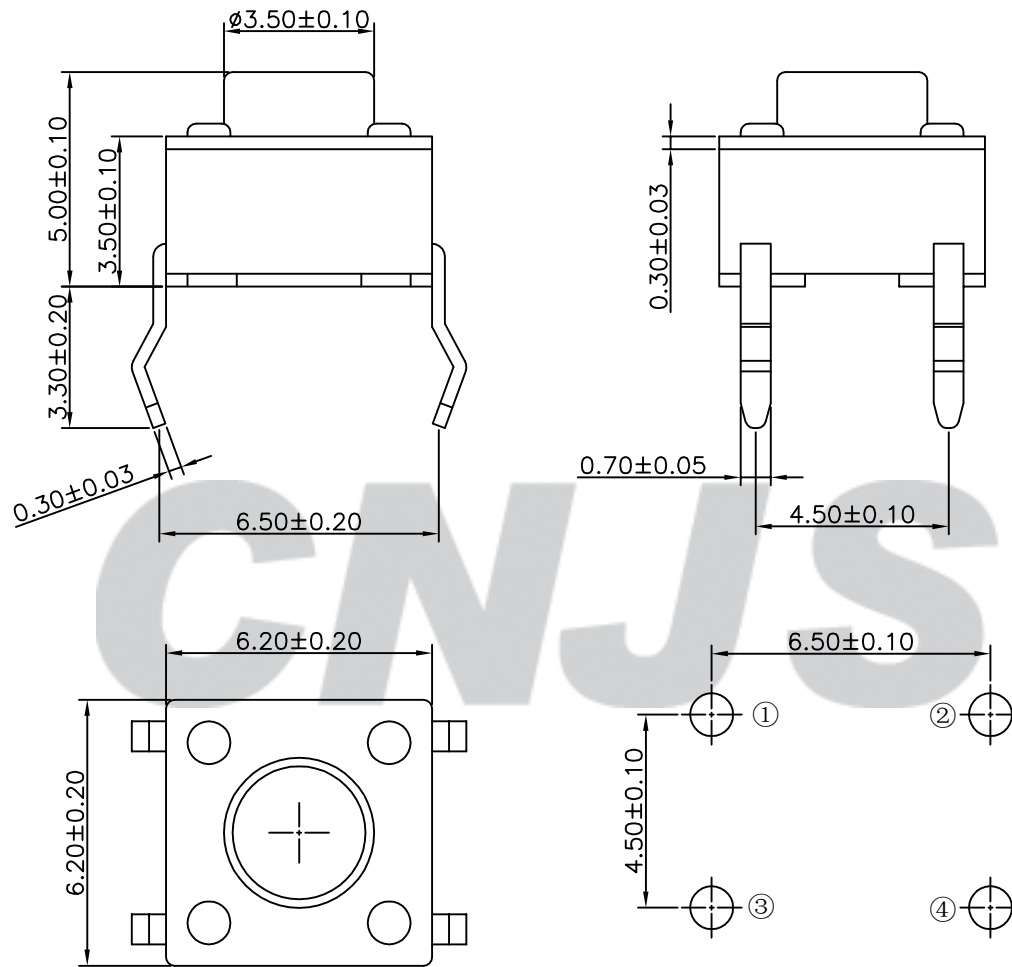


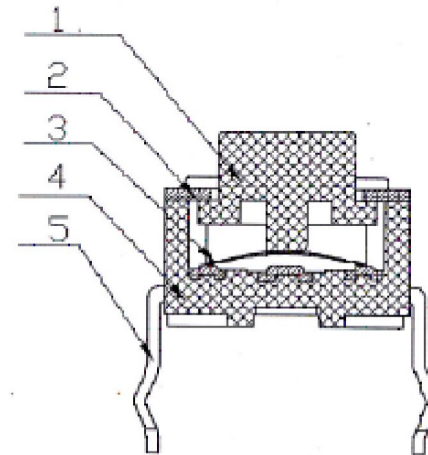
RoHS Compliant

成品图



SPECIFICATION

- 1 Contact resistance:  $\leq 100m\Omega$
- 2 Insulation resistance:  $\geq 100M\Omega$
- 3 Rated voltage: 12 V AC DC
- 4 Rated current: 50 mA AC DC
- 5 Withstand Voltage: 250V AC/minute
- 6 Temperature Range:  $-20^{\circ}C \sim +70^{\circ}C$
- 7 Life:  $\geq 10000$  cycle



PCB LAYOUT

NO.	DESCRIPTION	QTY	MATERIAL	PLATING/COLOR
5	卡 TERMINAL	2	BRASS(H65)	Ag-PLATED
4	BASE	1	PA66	BLACK
3	CONTACT弹片	1	Ag-C5210	Ag-PLATED
2	COVER盖板	1	H65	
1	STEM按钮	1	PA66	BLACK

Tolerance	Model Name: 轻触开关
X.X ±0.30	Model No: KFC-821A
X.XX ±0.20	
X.XXX ±0.10	
Angle ±3.0°	
UNIT: mm	

Model Name: 轻触开关		Model No: KFC-821A	
	SCALE: FULL	REVISION: B/0	
<b>CNJST</b> 浙江捷仕泰电子有限公司 ZHEJIANG JIESHITAI ELECTRONIC CO., LTD			

Drawn: 蔡忠忠 2016.04.12
Checked: 林旭芝
Approved: 刘祚杰
DWG NO. CNJST/GCWD-0014

REV.	DATE	DESCRIPTION	APPD.
B/0	2016.04.12	NEW RELEASE	