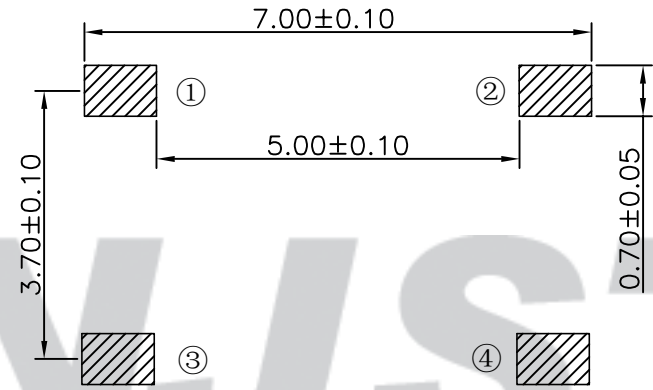
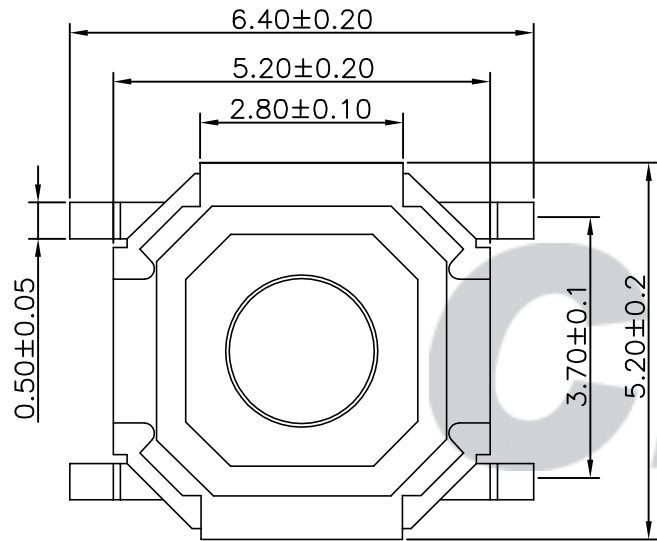
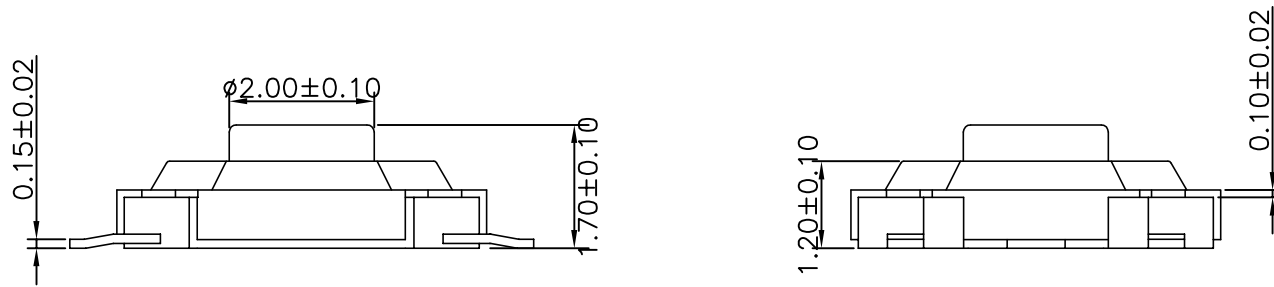


RoHS Compliant

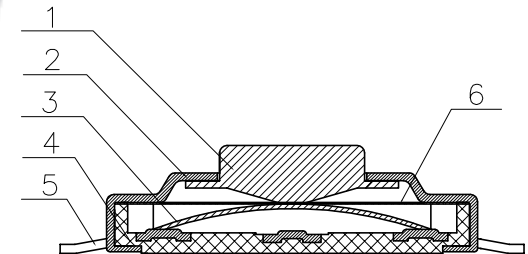
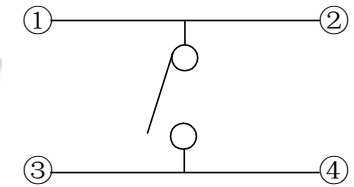
成品图



PCB LAYOUT

SPECIFICATION

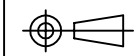
- 1 Contact resistance: $\leq 100m\Omega$
- 2 Insulation resistance: $\geq 100M\Omega$
- 3 Rated voltage: 12 V AC DC
- 4 Rated current: 50 mA AC DC
- 5 Withstand Voltage: 250V AC/minute
- 6 Temperature Range: $-20^{\circ}C \sim +70^{\circ}C$
- 7 Life: ≥ 10000 cycle



6	TAPE	1	T1-2311L	
5	卡 TERMINAL	2	BRASS(H65)	Ag-PLATED
4	BASE	1	PA6T	BLACK
3	CONTACT弹片	1	SUS 301	Ag-PLATED
2	COVER盖板	1	SUS 301	
1	STEM按钮	1	BRASS	YELLOW
NO.	DESCRIPTION	QTY	MATERIAL	PLATING/COLOR

Tolerance
 X.X ± 0.30
 X.XX ± 0.20
 X.XXX ± 0.10
 Angle $\pm 3.0^{\circ}$

Model Name: 轻触开关
 Model No: KFC-801A-1.7



SCALE: FULL REVISION: B/0

B/0	2016.04.12	NEW RELEASE	
REV.	DATE	DESCRIPTION	APPD.

Drawn: 蔡忠忠 2016.04.12

Checked: 林旭芝

Approved: 刘祚杰

CNJST 浙江捷仕泰电子有限公司
 ZHEJIANG JIESHITAI ELECTRONIC CO., LTD

DWG NO. CNJST/GCWD-0050