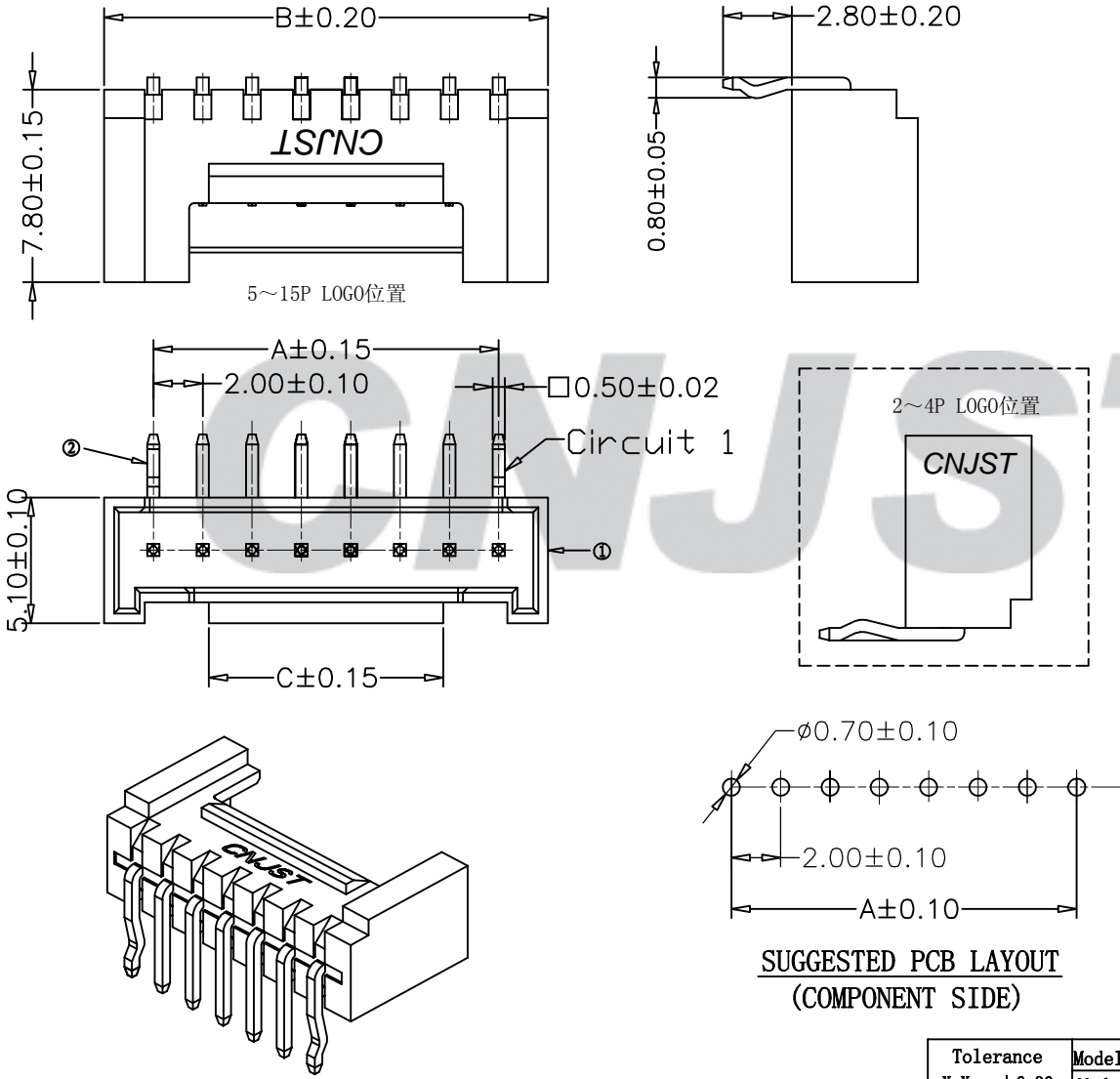


RoHS Compliant

成品图



SPECIFICATION

- 1 Contact resistance: $\leq 20m\Omega$
- 2 Insulation resistance: $\geq 1000M\Omega$
- 3 Rated voltage: 125 V AC DC
- 4 Rated current: 2.0 A AC DC
- 5 Withstand Voltage: 1000V AC/minute
- 6 Temperature Range: $-25^{\circ}C \sim +85^{\circ}C$

ORDER INFORMATION:

A2004AW-**-A1MA-P-D	
PART No.:	Special code:
No. OF CIRCUITS:	D=Short PIN
02~15	PACKAGING:
PLASTIC MATERIAL:	P=PE
A1M=PA66	PLATING:
A5W=PA66 (WHITE)	A=fin-plated

Circuits	Dimensions (mm)		
	A	B	C
02	2.00	6.00	2.80
03	4.00	8.00	3.20
04	6.00	10.00	3.50
05	8.00	12.00	5.50
06	10.00	14.00	7.50
07	12.00	16.00	9.50
08	14.00	18.00	11.50
09	16.00	20.00	13.50
10	18.00	22.00	15.50
11	20.00	24.00	15.50
12	22.00	26.00	15.50
13	24.00	28.00	15.50
14	26.00	30.00	15.50
15	28.00	32.00	15.50

SUGGESTED PCB LAYOUT
(COMPONENT SIDE)

Tolerance	Model Name: 2.00mm PITCH 90° WAFER	Drawn: 蔡忠忠 2016.05.06
X.X ± 0.30	Model No: A2004AW-**-A1MA-P-D	
X.XX ± 0.20	SCALE: FULL	REVISION: B/0
X.XXX ± 0.10		
Angle $\pm 3.0^{\circ}$	Checked: 林旭芝	
UNIT: mm	Approved: 刘祚杰	
	DWG NO. CNJST/GCCP-0063	

REV.	DATE	DESCRIPTION	APPD.	NO.	DESCRIPTION	QTY	MATERIAL	PLATING/COLOR
B/O	2016.05.06	NEW RELEASE		②	Contacts	2~15	Brass	Tin-plated
				①	Insulator	1	PA66 (UL94V-0)	Nature