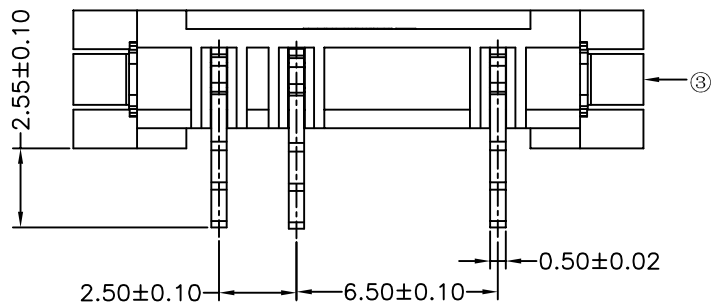


RoHS Compliant

成品图

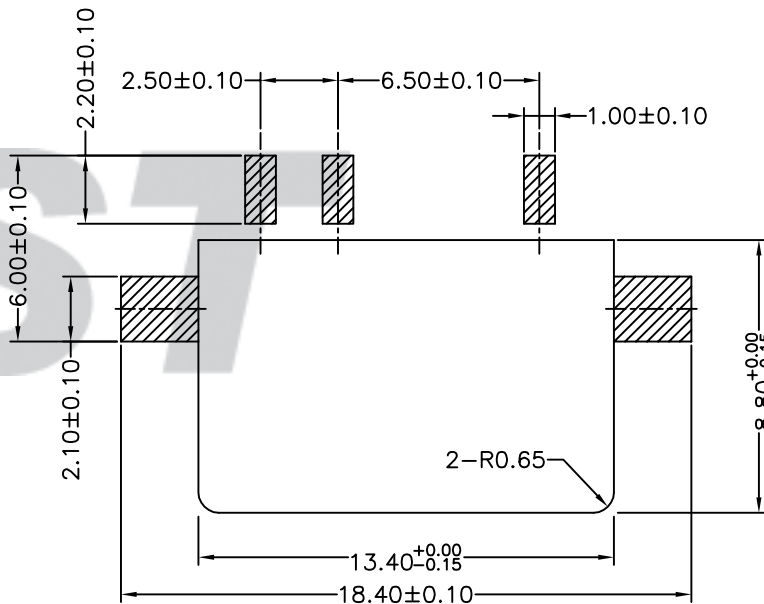
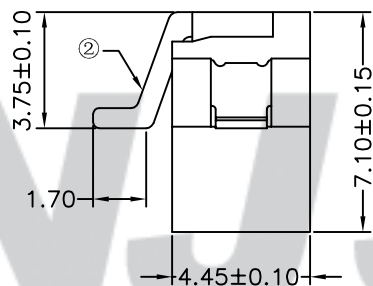
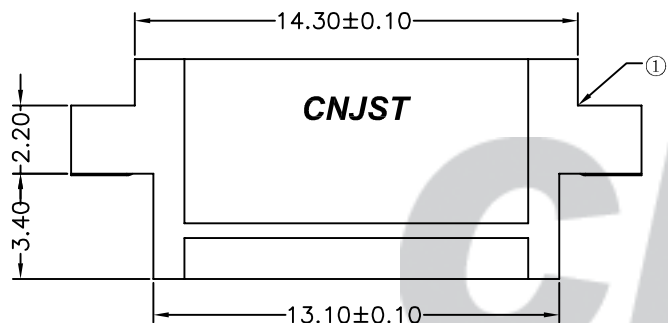


ORDER INFORMATION:

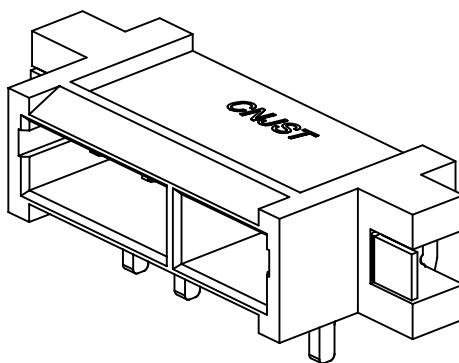
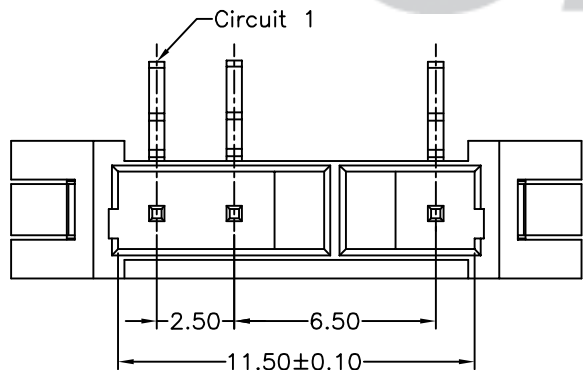
PART No.		A6501AWV-03-C1MA-G	
No. OF CIRCUITS:	03	PACKAGING:	G=TUBE
PLASTIC MATERIAL:	C1M=PA6T D1M=PA9T	PLATING:	A=Tin-Plated

SPECIFICATION

- Contact resistance: $\leq 10m\Omega$
- Insulation resistance: $\geq 1000M\Omega$
- Rated voltage: 2000 V AC DC
- Rated current: 1.0 A AC DC
- Withstand Voltage: 1800V AC/minute
- Temperature Range: $-25^{\circ}C \sim +85^{\circ}C$



SUGGESTED PCB LAYOUT
(COMPONENT SIDE)



REV.	DATE	DESCRIPTION	APPD.
B/0	2016.04.12	NEW RELEASE	

③	Solder Tabs	2	Phosphor Bronze	Tin-plated
②	Contacts	3	Phosphor Bronze	Tin-plated
①	Insulator	1	PA6T (UL94V-0)	Nature
NO.	DESCRIPTION	QTY	MATERIAL	PLATING/COLOR

Tolerance	Model Name: 6.50-2.50mm pitch 180° Wafer-SMT TYPE
X.X ±0.30	Model No: A6501AWV-03-C1MA-G
X.XX ±0.20	
X.XXX ±0.10	
Angle ±3.0°	
UNIT: mm	

	SCALE: FULL	REVISION: B/0
CNJST 浙江捷仕泰电子有限公司 ZHEJIANG JIESHITAI ELECTRONIC CO., LTD		

Drawn: 张育斌 2016.06.11
Checked: 林旭芝
Approved: 刘祚杰
DWG NO. CNJST/GCCP-0244