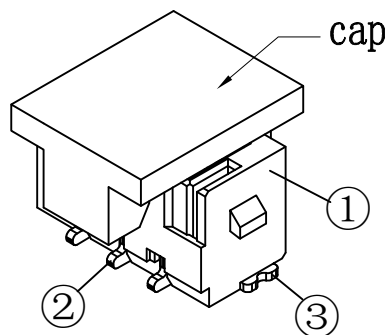
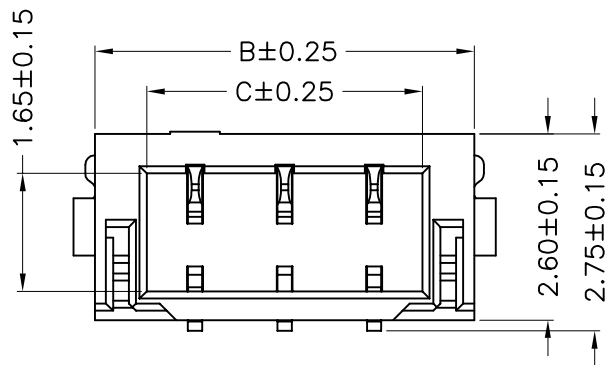


RoHS Compliant

成品图



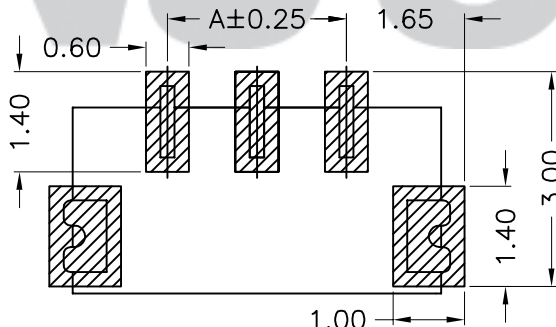
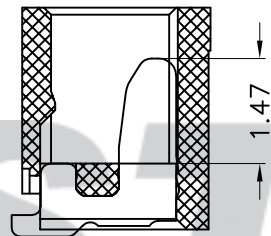
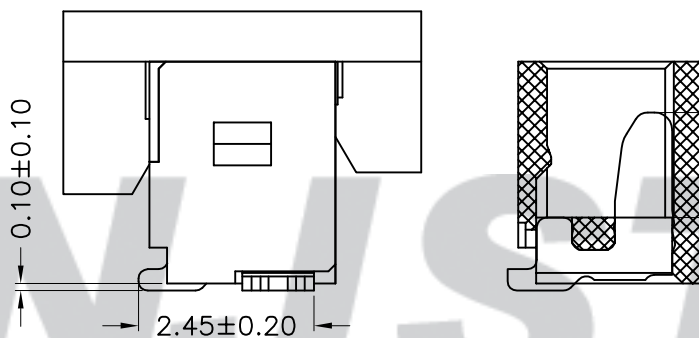
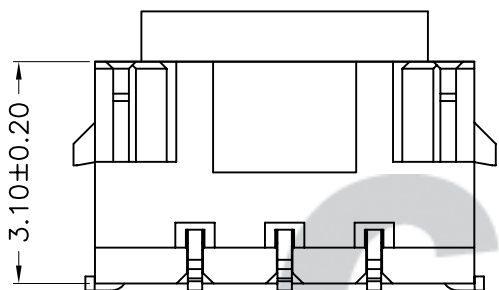
SPECIFICATION

- 1 Contact resistance: $\leq 10m\Omega$
- 2 Insulation resistance: $\geq 1000M\Omega$
- 3 Rated voltage: 150 V AC DC
- 4 Rated current: 1.0 A AC DC
- 5 Withstand Voltage: 800V AC/minute
- 6 Temperature Range: $-25^{\circ}C \sim +85^{\circ}C$

ORDER INFORMATION:

A12511AWV-***-F2MA-R-X

PART No. _____ X=CAP
 No. OF CIRCUITS: _____ PACKAGING:
 03~09 _____ R=REEL
 PLASTIC MATERIAL: _____ PLATING:
 F2M=LCP (NATURE) A=Tin-plated



SUGGESTED PCB LAYOUT
(COMPONENT SIDE)

Circuits	Dimensions (mm)		
	A	B	C
03	2.50	5.30	3.85
04	3.75	6.55	5.10
05	5.00	7.80	6.35
06	6.25	9.05	7.60
07	7.50	10.30	8.85
08	8.75	11.55	10.10
09	10.00	12.80	11.35

专利产品

REV.	DATE	DESCRIPTION	APPD.
B/0	2016.08.01	NEW RELEASE	

NO.	DESCRIPTION	QTY	MATERIAL	PLATING/COLOR
④	Cap	1	LCP	Nature
③	Solder Tab	2	Brass	Tin-plated
②	Contacts	03~09	Phosphor Bronze	Tin-plated
①	Insulator	1	LCP	Nature

Tolerance
 X.X ±0.30
 X.XX ±0.20
 X.XXX ±0.10
 Angle ±3.0°

Model Name: 1.25mm pitch 180° WAFER-SMT TYPE
 Model No: A12511AWV-**-F2MA-R-X



SCALE: FULL

REVISION: B/0

CNJST 浙江捷仕泰电子有限公司
 ZHEJIANG JIESHITAI ELECTRONICS CO., LTD.

Drawn: 蔡忠忠 2016.8.1

Checked: 林旭芝

Approved: 刘祚杰

DWG NO. CNJST/GCCP-0377

UNIT: mm