

RoHS Compliant

成品图

SPECIFICATION

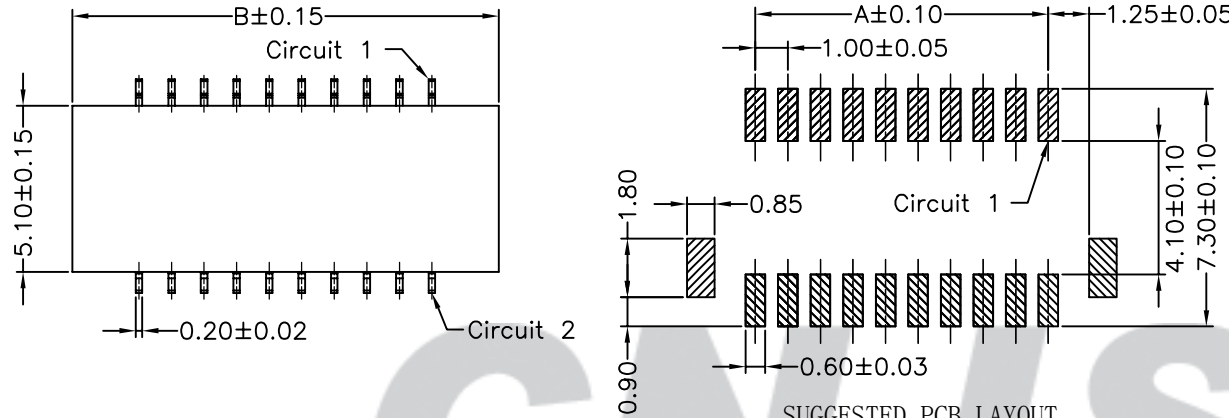
- 1 Contact resistance:  $\leq 20m\Omega$
- 2 Insulation resistance:  $\geq 100M\Omega$
- 3 Rated voltage: 50 V AC DC
- 4 Rated current: 1.0 A AC DC
- 5 Withstand Voltage: 500V AC/minute
- 6 Temperature Range:  $-25^{\circ}C \sim +85^{\circ}C$

ORDER INFORMATION:

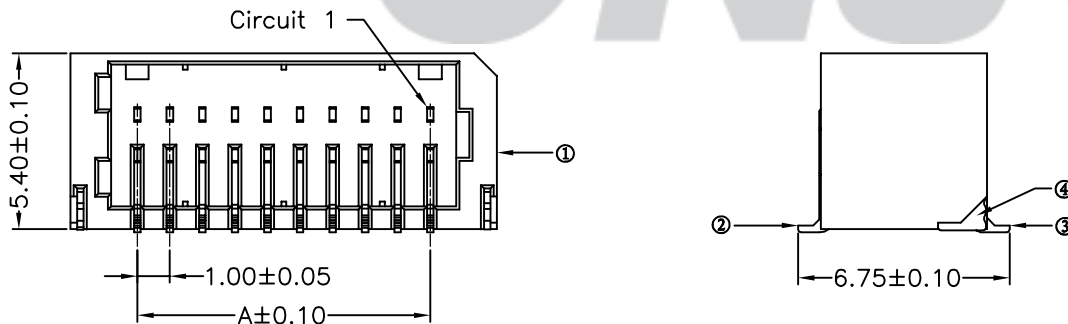
**A1001AWR-\*\*\*-F2MC-\***

PART No.		PACKAGING:
No. OF CIRCUITS:		R=REEL
2X6, 2X8, 2X10, 2X15, 2X20, 2X25		G=TUBE
PLASTIC MATERIAL:		PLATING:
C1M=PA6T		C=Gold-plated
F2M=LCP		

Circuits	Dimensions (mm)	
	A	B
2X6	5.00	9.10
2X8	7.00	11.10
2X10	9.00	13.10
2X15	14.00	18.10
2X20	19.00	23.10
2X25	24.00	28.10



SUGGESTED PCB LAYOUT  
(COMPONENT SIDE)



NO.	DESCRIPTION	QTY	MATERIAL	PLATING/COLOR
④	Solder Tab	2	Phosphor Bronze	Tin-plated
③	Contacts	6~25	Phosphor Bronze	Gold-plated
②	Contacts	6~25	Phosphor Bronze	Gold-plated
①	Insulator	1	LCP (UL94V-0)	Nature

Tolerance
X.X ±0.30
X.XX ±0.20
X.XXX ±0.10
Angle ±3.0°

Model Name: 1.00mm PITCH 90° WAFER-SMT TYPE		SCALE: FULL	REVISION: B/0
Model No: A1001AWR-***-F2MC-*			

Drawn: 蔡忠忠 2016.06.11

Checked: 林旭芝

Approved: 刘祚杰

DWG NO. CNJST/GCCP-0202

REV.	DATE	DESCRIPTION	APPD.
B/0	2016.06.11	NEW RELEASE	

UNIT: mm

**CNJST** 浙江捷仕泰电子有限公司  
ZHEJIANG JIESHITAI ELECTRONIC CO., LTD