

RoHS Compliant

成品图

SPECIFICATION

- 1 Contact resistance:  $\leq 10\text{m}\Omega$
- 2 Insulation resistance:  $\geq 1000\text{M}\Omega$
- 3 Rated voltage: 250 V AC DC
- 4 Rated current: 2 A AC DC
- 5 Withstand Voltage: 800V AC/minute
- 6 Temperature Range:  $-25^{\circ}\text{C} \sim +85^{\circ}\text{C}$

ORDER INFORMATION:

**A2002Y-\*\*\*-A6W-P-W**

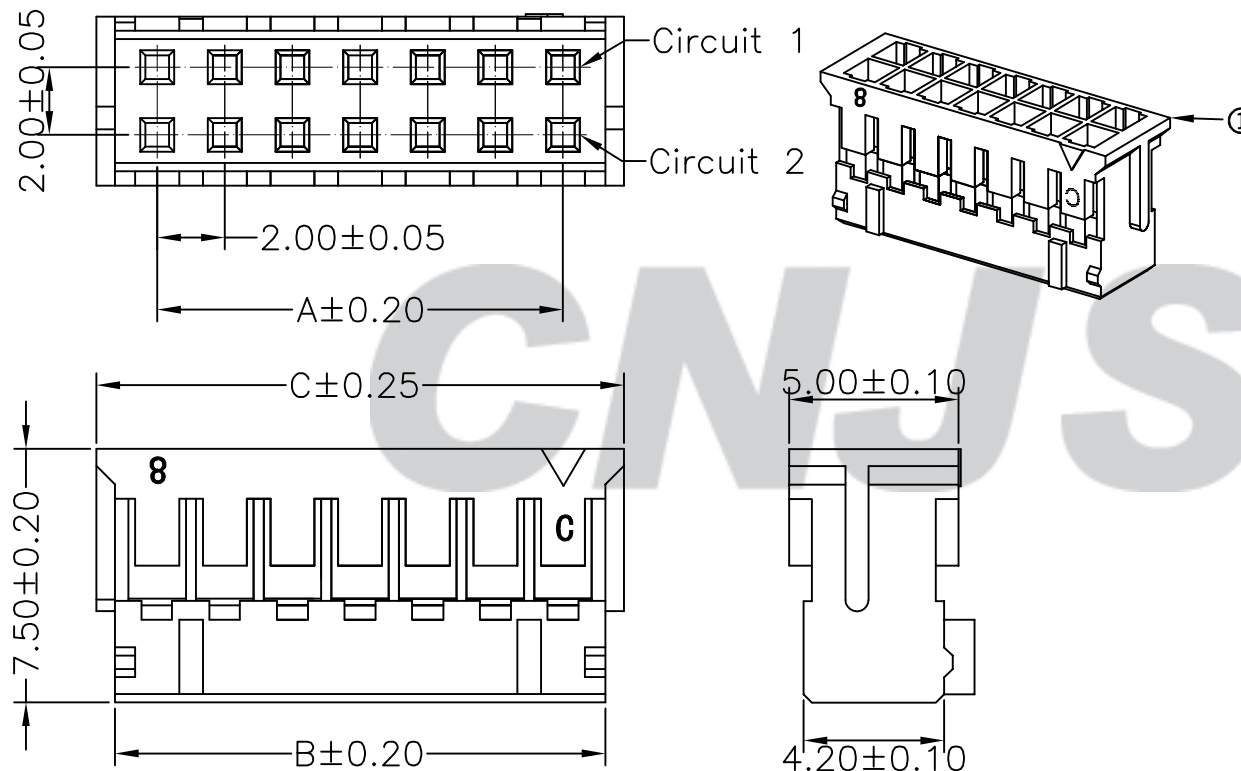
PART No.

No. OF CIRCUITS:  
2X2~2X20

PACKAGING:  
P=PE

PLASTIC MATERIAL:  
A6W=PA66 (WHITE)

Circuits	Dimensions (mm)			Circuits	Dimensions (mm)		
	A	B	C		A	B	C
202 (2X2)	2.00	4.50	5.90	212 (2X12)	22.00	24.50	25.90
203 (2X3)	4.00	6.50	7.90	213 (2X13)	24.00	26.50	27.90
204 (2X4)	6.00	8.50	9.90	214 (2X14)	26.00	28.50	29.90
205 (2X5)	8.00	10.50	11.90	215 (2X15)	28.00	30.50	31.90
206 (2X6)	10.00	12.50	13.90	216 (2X16)	30.00	32.50	33.90
207 (2X7)	12.00	14.50	15.90	217 (2X17)	32.00	34.50	35.90
208 (2X8)	14.00	16.50	17.90	218 (2X18)	34.00	36.50	37.90
209 (2X9)	16.00	18.50	19.90	219 (2X19)	36.00	38.50	39.90
210 (2X10)	18.00	20.50	21.90	220 (2X20)	38.00	40.50	41.90
211 (2X11)	20.00	22.50	23.90				



Tolerance X.X ±0.30 X.XX ±0.20 X.XXX ±0.10 Angle ±3.0°	Model Name: 2.00mm PITCH HOUSING		Drawn: 蔡忠忠 2016.05.06
	Model No: A2002Y-***-A6W-P-W		
UNIT: mm		SCALE: FULL	REVISION: B/0
	<b>CNJST</b> 浙江捷仕泰电子有限公司 ZHEJIANG JIESHITAI ELECTRONIC CO., LTD		Checked: 林旭芝 Approved: 刘祚杰 DWG NO. CNJST/GCCP-0057

REV.	DATE	DESCRIPTION	APPD.	NO.	DESCRIPTION	QTY	MATERIAL	PLATING/COLOR
B/0	2016.05.06	NEW RELEASE		①	Insulator	1	PA66 (UL94V-0)	White