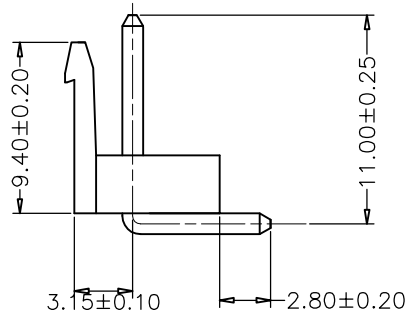
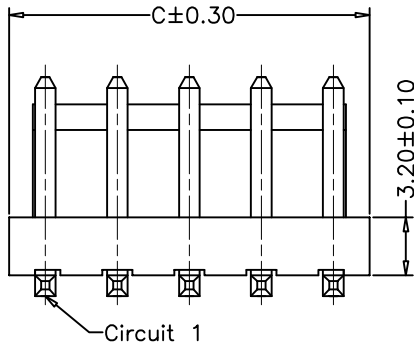


RoHS Compliant

成品图



SPECIFICATION

- 1 Contact resistance: $\leq 10m\Omega$
- 2 Insulation resistance: $\geq 1000M\Omega$
- 3 Rated voltage: 250 V AC DC
- 4 Rated current: 7 A AC DC
- 5 Withstand Voltage: 1500V AC/minute
- 6 Temperature Range: $-25^{\circ}C \sim +85^{\circ}C$

ORDER INFORMATION:

A3962AW--A5WA-P-D2.8**

PART No. _____

No. OF CIRCUITS: _____

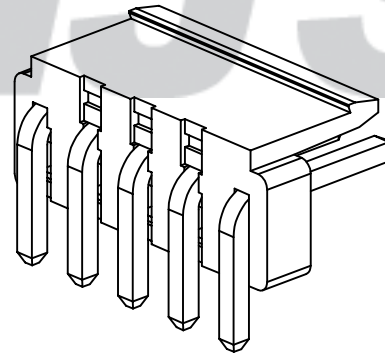
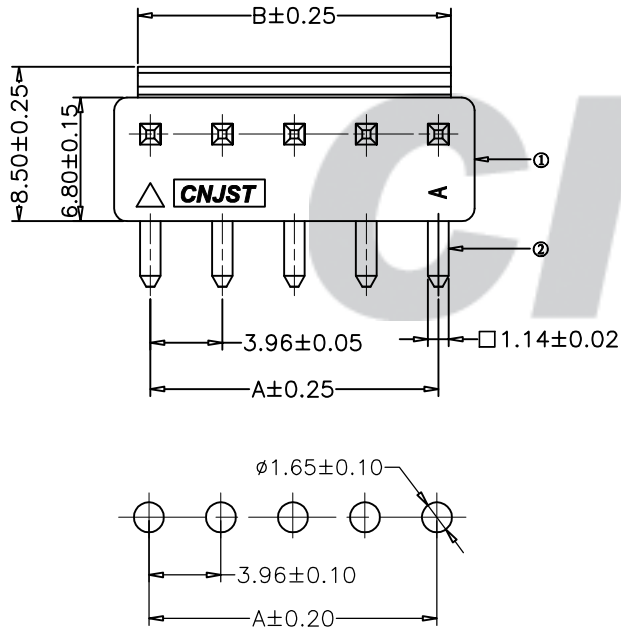
02~14

PLASTIC MATERIAL: _____

A5W=PA66 (WHITE)

PACKAGING: P=PE

PLATING: A=Tin-plated



| Circuits | Dimensions (mm) | | | Circuits | Dimensions (mm) | | |
|----------|-----------------|-------|-------|----------|-----------------|-------|-------|
| | A | B | C | | A | B | C |
| 02 | 3.96 | 5.34 | 7.94 | 09 | 31.68 | 33.06 | 35.66 |
| 03 | 7.92 | 9.30 | 11.90 | 10 | 35.64 | 37.02 | 39.62 |
| 04 | 11.88 | 13.26 | 15.82 | 11 | 39.60 | 40.98 | 43.58 |
| 05 | 15.84 | 17.22 | 19.82 | 12 | 43.56 | 44.94 | 47.54 |
| 06 | 19.80 | 21.18 | 23.78 | 13 | 47.52 | 48.90 | 51.80 |
| 07 | 23.76 | 25.14 | 27.74 | 14 | 51.48 | 52.86 | 55.46 |
| 08 | 27.72 | 29.10 | 31.70 | | | | |

SUGGESTED PCB LAYOUT
(COMPONENT SIDE)

UL/VDE P/N: VH-nA

| REV. | DATE | DESCRIPTION | APPD. | NO. | DESCRIPTION | QTY | MATERIAL | PLATING/COLOR |
|------|------------|-------------|-------|-----|-------------|------|----------------|---------------|
| B/0 | 2016.05.12 | NEW RELEASE | | ② | Contacts | 2~14 | Brass | Tin-plated |
| | | | | ① | Insulator | 1 | PA66 (UL94V-0) | White |

| | | | | | |
|--|---|--|-------------|---------------|-------------------------|
| Tolerance X.X ±0.30 X.XX ±0.20 X.XXX ±0.10 Angle ±3.0° | Model Name: 3.96mm PITCH 90° WAFER | | SCALE: FULL | REVISION: B/0 | Checked: 林旭芝 |
| | Model No: A3962AW-**-A5WA-P-D2.8 | | | | |
| UNIT: mm | 浙江捷仕泰电子有限公司 ZHEJIANG JIESHITAI ELECTRONIC CO., LTD | | | Approved: 刘祚杰 | DWG NO. CNJST/GCCP-0110 |

A

A