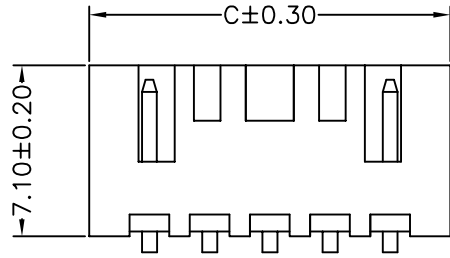
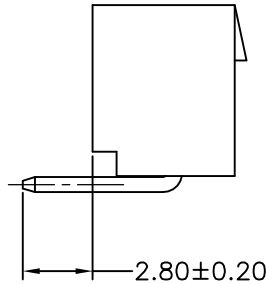


RoHS Compliant

成品图



5P~12P



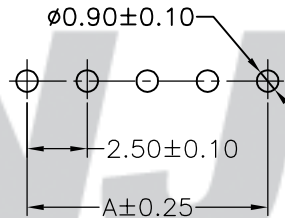
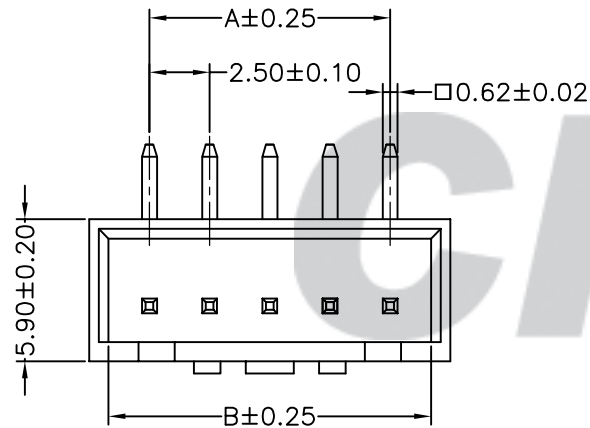
SPECIFICATION

- 1 Contact resistance: $\leq 20m\Omega$
- 2 Insulation resistance: $\geq 1000M\Omega$
- 3 Rated voltage: 250 V AC DC
- 4 Rated current: 3.0 A AC DC
- 5 Withstand Voltage: 1000V AC/minute
- 6 Temperature Range: $-25^{\circ}C \sim +85^{\circ}C$

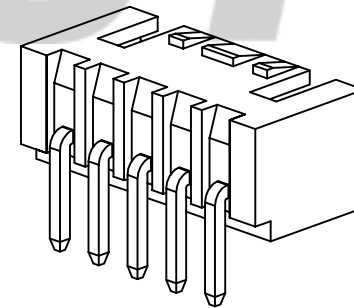
ORDER INFORMATION:

A2502AW--A5WA-P-D2.8**

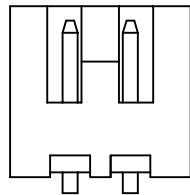
Part No.		PACKAGING:
No. of Circuits:		P=PE
02~12		PLATING:
PLASTIC MATERIAL:		A=Tin-plated
A5W=PA66 (White)		



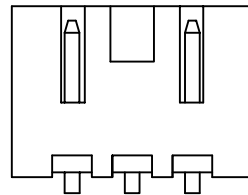
SUGGESTED PCB LAYOUT
(COMPONENT SIDE)



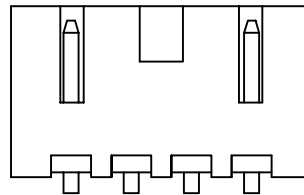
Circuits	Dimensions (mm)		
	A	B	C
02	2.50	6.00	7.50
03	5.00	8.50	10.00
04	7.50	11.00	12.50
05	10.00	13.50	15.00
06	12.50	16.00	17.50
07	15.00	18.50	20.00
08	17.50	21.00	22.50
09	20.00	23.50	25.00
10	22.50	26.00	27.50
11	25.00	28.50	30.00
12	27.50	31.00	32.50



2P



3P



4P

Tolerance	Model Name: 2.50mm PITCH 90 ° WAFER
X.X ±0.30	Model No: A2502AW-**-A5WA-P-D2.8
X.XX ±0.20	
X.XXX ±0.10	
Angle ±3.0°	
UNIT: mm	

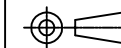
Drawn: 蔡忠忠 2016.05.09

Checked: 林旭芝

Approved: 刘祚杰

DWG NO. CNJST/GCCP-0075

REV.	DATE	DESCRIPTION	APPD.	NO.	DESCRIPTION	QTY	MATERIAL	PLATING/COLOR
B/0	2016.05.09	NEW RELEASE		②	Contacts	2~12	Brass	Tin-plated
				①	Insulator	1	PA66 (UL94V-0)	WHITE



SCALE: FULL

REVISION: B/0

CNJST 浙江捷仕泰电子有限公司
ZHEJIANG JIESHITAI ELECTRONIC CO., LTD