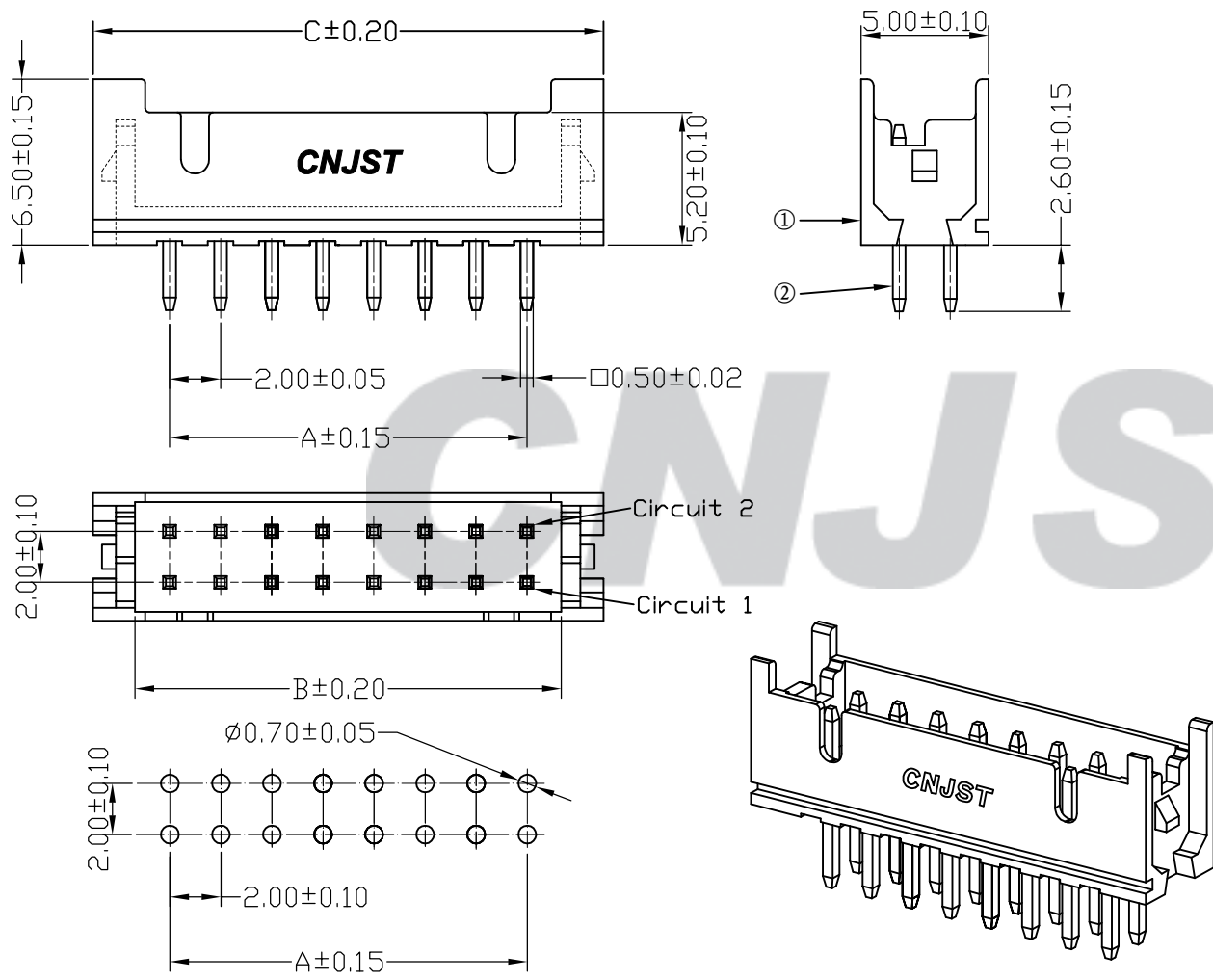


RoHS Compliant

成品图



SPECIFICATION

- 1 Contact resistance: $\leq 10m\Omega$
- 2 Insulation resistance: $\geq 1000M\Omega$
- 3 Rated voltage: 250 V AC DC
- 4 Rated current: 2.0 A AC DC
- 5 Withstand Voltage: 800V AC/minute
- 6 Temperature Range: $-25^{\circ}C \sim +85^{\circ}C$

ORDER INFORMATION:

A2003A-*-A1MA-B-D**

PART No. _____
 No. OF CIRCUITS: _____
 2X2~2X15
 PLASTIC MATERIAL: _____
 AIM=PA66

PACKAGING:
 B=TRAY
 PLATING:
 A=Tin-plated

Circuits	Dimensions (mm)			Circuits	Dimensions (mm)		
	A	B	C		A	B	C
202 (2X2)	2.00	4.70	8.00	209 (2X9)	16.00	18.70	22.00
203 (2X3)	4.00	6.70	10.00	210 (2X10)	18.00	20.70	24.00
204 (2X4)	6.00	8.70	12.00	211 (2X11)	20.00	22.70	26.00
205 (2X5)	8.00	10.70	14.00	212 (2X12)	22.00	24.70	28.00
206 (2X6)	10.00	12.70	16.00	213 (2X13)	24.00	26.70	30.00
207 (2X7)	12.00	14.70	18.00	214 (2X14)	26.00	28.70	32.00
208 (2X8)	14.00	16.70	20.00	215 (2X15)	28.00	30.70	34.00

SUGGESTED PCB LAYOUT
(COMPONENT SIDE)

REV.	DATE	DESCRIPTION	APPD.	NO.	DESCRIPTION	QTY	MATERIAL	PLATING/COLOR
B/0	2016.05.06	NEW RELEASE		②	Contacts	4~30	Brass	Tin-plated
				①	Insulator	1	PA66 (UL94V-0)	Nature

Tolerance
 X.X ±0.30
 X.XX ±0.20
 X.XXX ±0.10
 Angle ±3.0°

Model Name: 2.00mm PITCH 180° WAFER
 Model No: A2003A-***-A1MA-B-D

SCALE: FULL REVISION: B/0

CNJST 浙江捷仕泰电子有限公司
 ZHEJIANG JIESHITAI ELECTRONIC CO., LTD

UNIT: mm

Drawn: 蔡忠忠 2016.05.06
 Checked: 林旭芝
 Approved: 刘祚杰
 DWG NO. CNJST/GCCP-0058