

RoHS Compliant

成品图

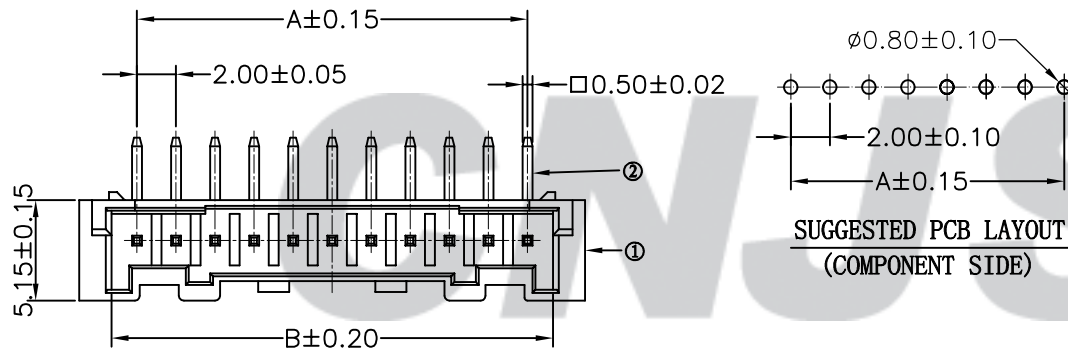
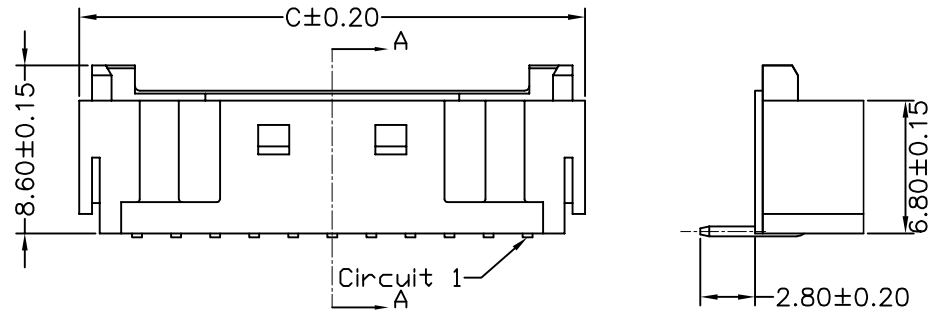
SPECIFICATION

- 1 Contact resistance:  $\leq 10m\Omega$
- 2 Insulation resistance:  $\geq 1000M\Omega$
- 3 Rated voltage: 250 V AC DC
- 4 Rated current: 3.0 A AC DC
- 5 Withstand Voltage: 800V AC/minute
- 6 Temperature Range:  $-25^{\circ}C \sim +85^{\circ}C$

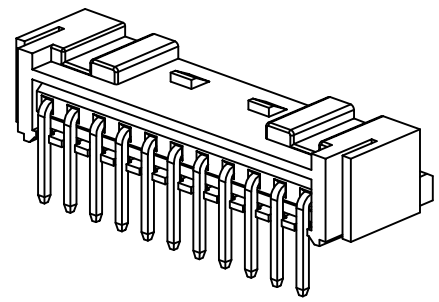
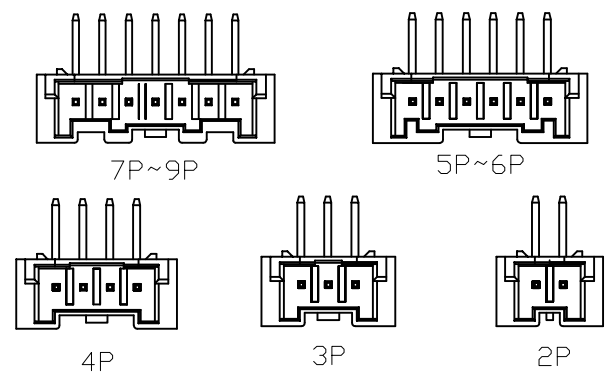
ORDER INFORMATION:

**A2006AW-\*\*-A1MA-P-D**

PART No.		PACKAGING:
No. OF CIRCUITS:		P=PE
02~15		PLATING:
PLASTIC MATERIAL:		A=Tin-plated
A1M=PA66		B=Matte Sn



SUGGESTED PCB LAYOUT  
(COMPONENT SIDE)



Circuits	Dimensions (mm)		
	A	B	C
02	2.00	4.60	7.90
03	4.00	6.60	9.90
04	6.00	8.60	11.90
05	8.00	10.60	13.90
06	10.00	12.60	15.90
07	12.00	14.60	17.90
08	14.00	16.60	19.90
09	16.00	18.60	21.90
10	18.00	20.60	23.90
11	20.00	22.60	25.90
12	22.00	24.60	27.90
13	24.00	26.60	29.90
14	26.00	28.60	31.90
15	28.00	30.60	33.90

REV.	DATE	DESCRIPTION	APPD.	NO.	DESCRIPTION	QTY	MATERIAL	PLATING/COLOR
B/0	2016.05.19	NEW RELEASE		②	Contacts	02~15	Brass	Tin-plated(3~5μm)
				①	Insulator	1	PA66 (UL94V-0)	Nature

Tolerance  
X.X ±0.30  
X.XX ±0.20  
X.XXX ±0.10  
Angle ±3.0°

Model Name: 2.00mm PITCH 90° WAFER  
Model No: A2006AW-\*\*-A1MA-P-D

SCALE: FULL REVISION: B/0

UNIT: mm

**CNJST** 浙江捷仕泰电子有限公司  
ZHEJIANG JIESHITAI ELECTRONIC CO., LTD

Drawn: 蔡忠忠 2016.05.19  
Checked: 林旭芝  
Approved: 刘祚杰  
DWG NO. CNJST/GCCP-0169