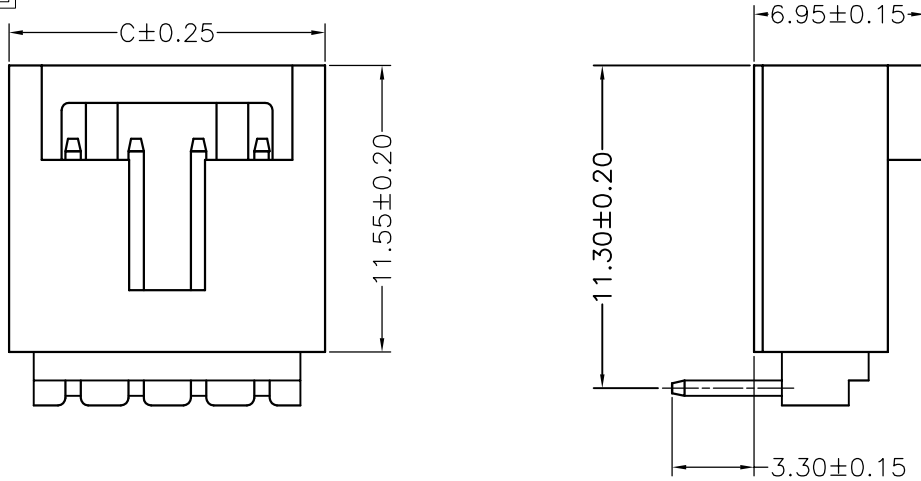


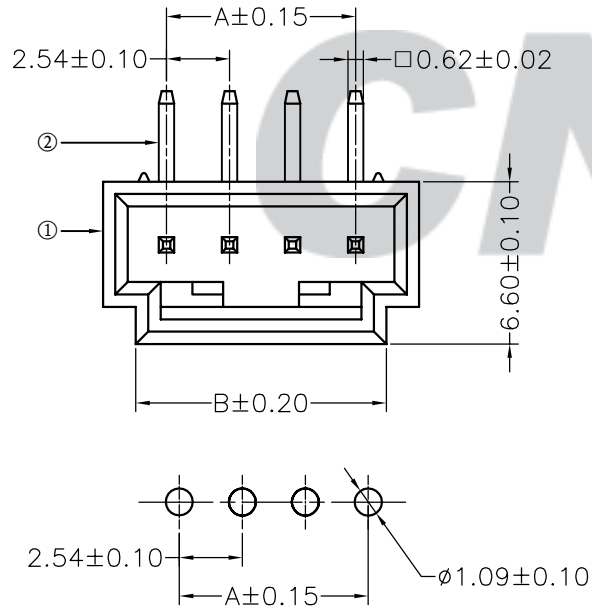
RoHS Compliant

成品图

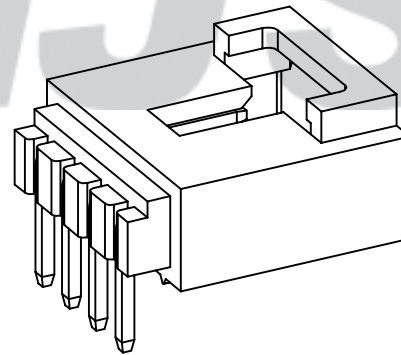


SPECIFICATION

- 1 Contact resistance:  $\leq 30m\Omega$
- 2 Insulation resistance:  $\geq 1000M\Omega$
- 3 Rated voltage: 250 V AC DC
- 4 Rated current: 2.5 A AC DC
- 5 Withstand Voltage: 1500V AC/minute
- 6 Temperature Range:  $-25^{\circ}C \sim +85^{\circ}C$



SUGGESTED PCB LAYOUT  
(COMPONENT SIDE)



ORDER INFORMATION:

**A2542AW-\*\*-A2KC-P**

PART No. \_\_\_\_\_ PACKAGING:  
 P=PE  
 No. OF CIRCUITS: \_\_\_\_\_ PLATING:  
 02~12 C=Gold-plated  
 PLASTIC MATERIAL: \_\_\_\_\_  
 A2K=PA66 (BLACK)

Circuits	Dimensions (mm)		
	A	B	C
02	2.54	5.12	7.63
03	5.08	7.66	10.17
04	7.62	10.20	12.71
05	10.16	12.74	15.25
06	12.70	15.28	17.79
07	15.24	17.83	20.33
08	17.78	20.36	22.87
09	20.32	22.90	25.41
10	22.86	25.44	27.95
11	25.40	27.98	30.49
12	27.94	30.52	33.03

B/O	2016.05.20	NEW RELEASE	
REV.	DATE	DESCRIPTION	APPD.

②	Contacts	2~12	Brass	Gold-plated
①	Insulator	1	PA66 (UL94V-0)	Black
NO.	DESCRIPTION	QTY	MATERIAL	PLATING/COLOR

Tolerance X.X ±0.30 X.XX ±0.20 X.XXX ±0.10 Angle ±3.0°	Model Name: 2.54mm PITCH 90° WAFER Model No: A2542AW-**-A2KC-P	SCALE: FULL REVISION: B/0
UNIT: mm	<b>CNJST</b> 浙江捷仕泰电子有限公司 ZHEJIANG JIESHITAI ELECTRONIC CO., LTD	

Drawn: 蔡忠忠 2016.05.20
Checked: 林旭芝
Approved: 刘祚杰
DWG NO. CNJST/GCCP-0176