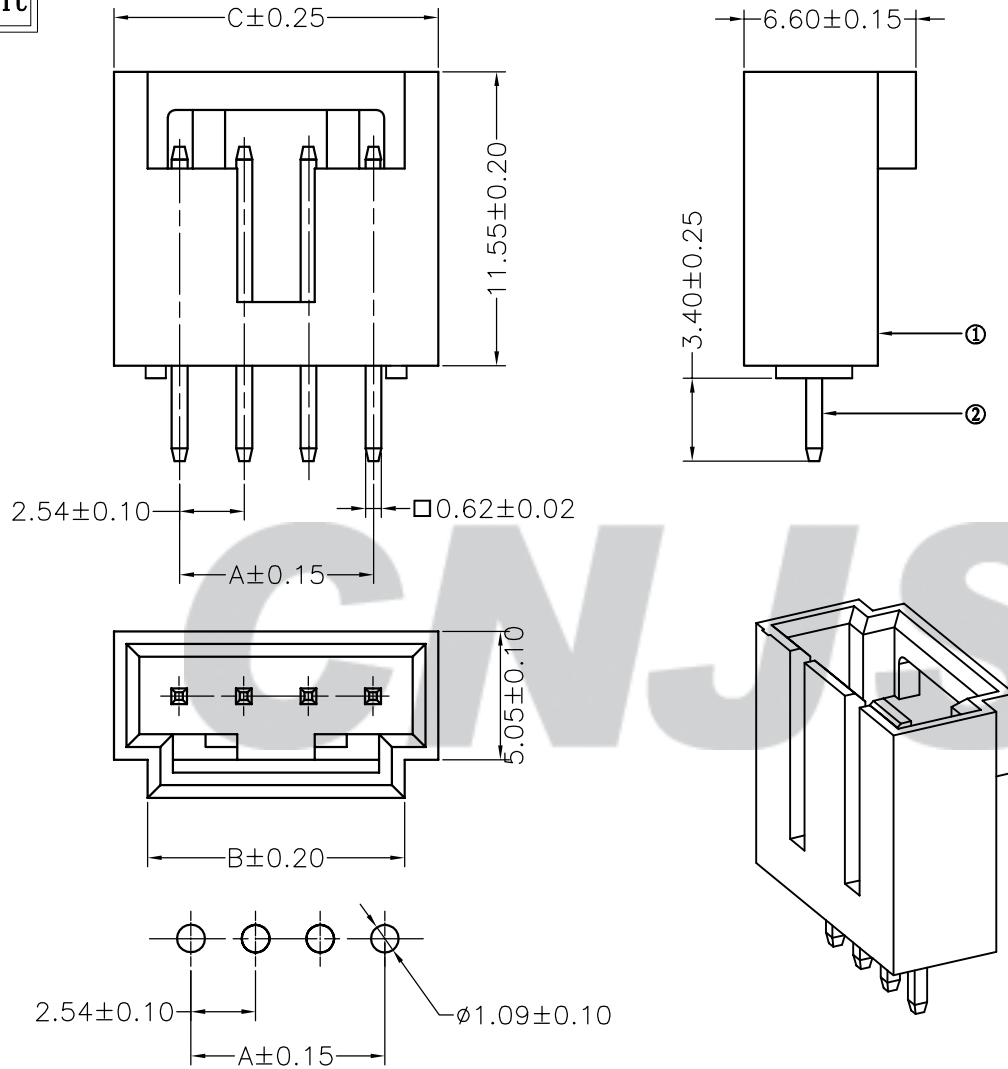


RoHS Compliant

成品图



SPECIFICATION

- 1 Contact resistance: $\leq 30m\Omega$
- 2 Insulation resistance: $\geq 1000M\Omega$
- 3 Rated voltage: 250 V AC DC
- 4 Rated current: 2.5 A AC DC
- 5 Withstand Voltage: 1500V AC/minute
- 6 Temperature Range: $-25^{\circ}C \sim +85^{\circ}C$

ORDER INFORMATION:

A2542A--A2KC-P**

PART No. _____
 No. OF CIRCUITS: _____
 102~12 _____
 PLASTIC MATERIAL: _____
 A2K=PA66 (BLACK)

PACKAGING: P=PE
 PLATING: C=Gold-plated

Circuits	Dimensions (mm)		
	A	B	C
02	2.54	5.12	7.63
03	5.08	7.66	10.17
04	7.62	10.20	12.71
05	10.16	12.74	15.25
06	12.70	15.28	17.79
07	15.24	17.83	20.33
08	17.78	20.36	22.87
09	20.32	22.90	25.41
10	22.86	25.44	27.95
11	25.40	27.98	30.49
12	27.94	30.52	33.03

SUGGESTED PCB LAYOUT
(COMPONENT SIDE)

Tolerance X.X ± 0.30 X.XX ± 0.20 X.XXX ± 0.10 Angle $\pm 3.0^{\circ}$	Model Name: 2.54mm PITCH 180 ° WAFER		Drawn: 蔡忠忠 2016.05.10
	Model No: A2542A-**-A2KC-P		
UNIT: mm	SCALE: FULL	REVISION: B/0	Checked: 林旭芝
	CNJST 浙江捷仕泰电子有限公司 ZHEJIANG JIESHITAI ELECTRONIC CO., LTD		Approved: 刘祚杰
			DWG NO. CNJST/GCCP-0091

REV.	DATE	DESCRIPTION	APPD.	NO.	DESCRIPTION	QTY	MATERIAL	PLATING/COLOR
B/0	2016.05.10	NEW RELEASE		②	Contacts	2~12	Brass	Gold-plated
				①	Insulator	1	PA66 (UL94V-0)	Black