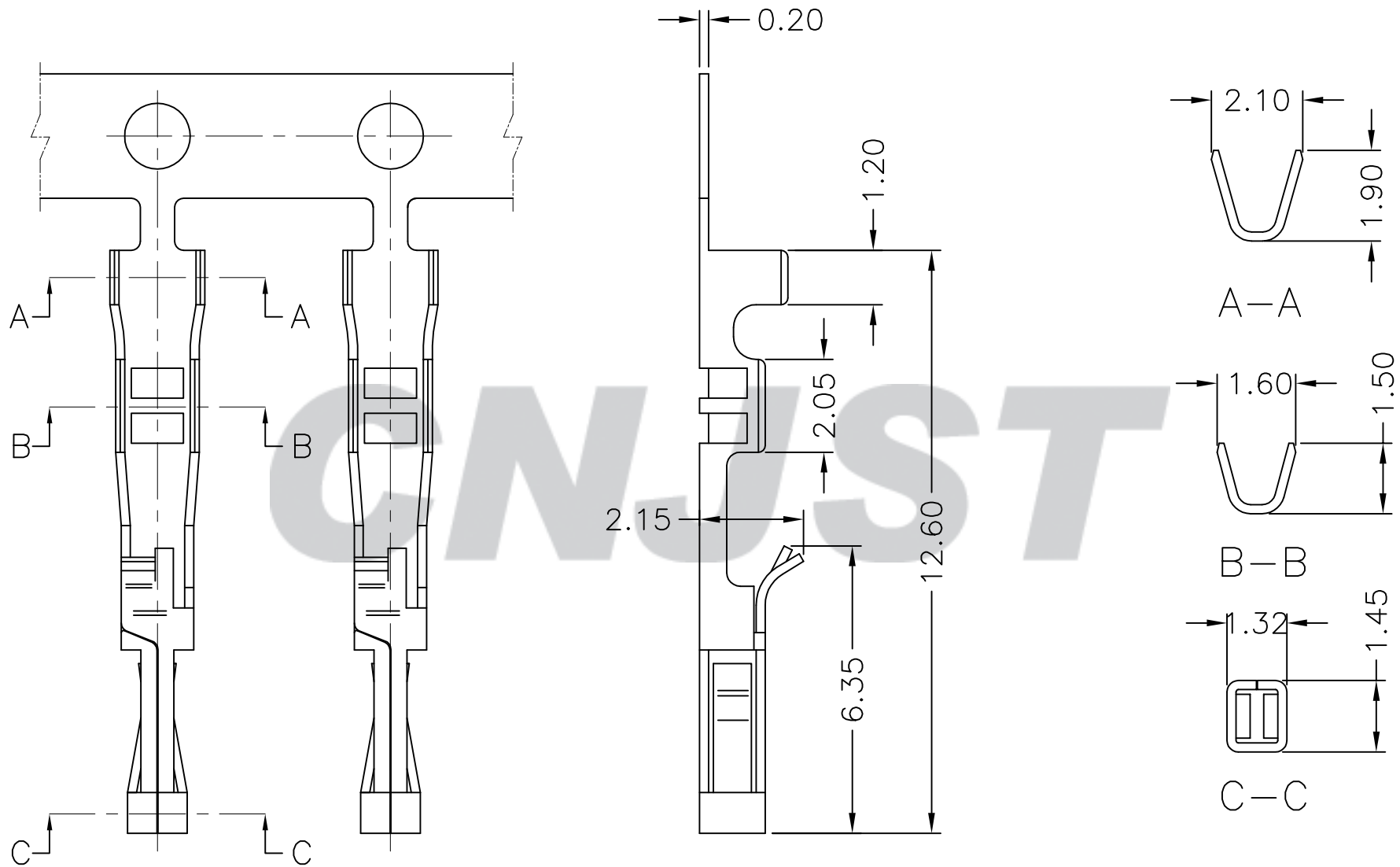


RoHS Compliant

端子图



REV.	DATE	DESCRIPTION	APPD.
1	2016.06.13	NEW RELEASE	

A2542T-PC-Z	AWG #24~#28	1.60mm(max)	10,000Pcs	Phosphor Bronze	Gold-plsted
A2542T-PA-Z	AWG #24~#28	1.60mm(max)	10,000Pcs	Phosphor Bronze	Tin-plated
Part No	Wire Range	Insulation O.D.	QTY/Reel	Material	Plating

Tolerance	Model Name: 2.54mm PITCH CRIMP TERMINAL
X.X ±0.30	Model No: A2542T-P*-Z
X.XX ±0.20	
X.XXX ±0.10	
Angle ±3.0°	SCALE: FULL
UNIT: mm	REVISION: B/1
	CNJST 浙江捷仕泰电子有限公司
	ZHEJIANG JIESHITAI ELECTRONIC CO., LTD

Drawn: 张育斌 2016.06.13
Checked: 林旭芝
Approved: 刘祚杰
DWG NO. CNJST/GCDZ-0046