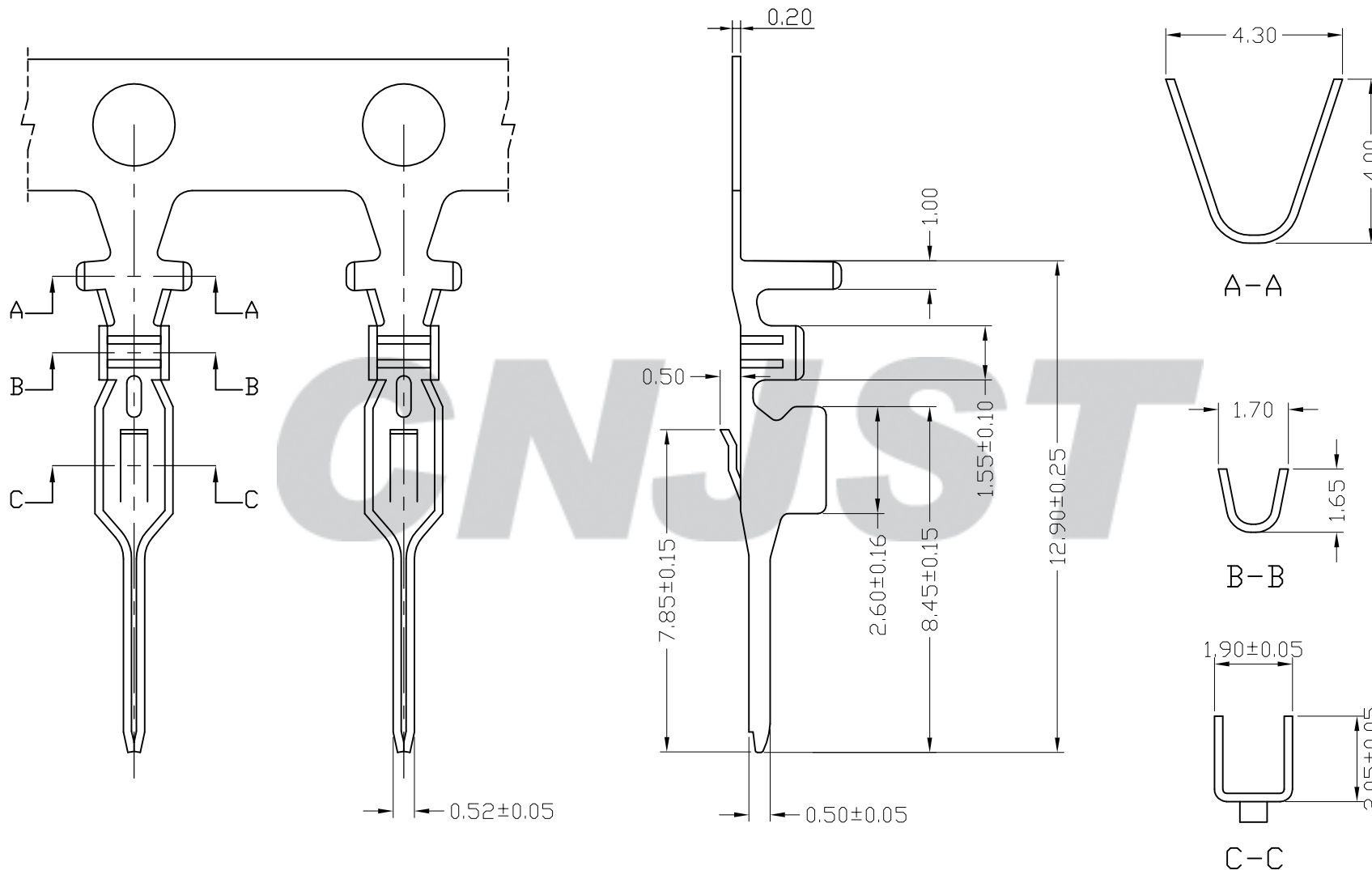
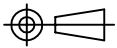


RoHS Compliant

端子图



Tolerance X.X ± 0.30 X.XX ± 0.20 X.XXX ± 0.10 Angle $\pm 3.0^\circ$	Model Name: 4.00mm PITCH CRIMP TERMINAL		Drawn: 张育斌 2016.06.13		
	Model No: C4001T-PA-Z				
UNIT: mm		SCALE: FULL	REVISION: B/1		
		CNJST 浙江捷仕泰电子有限公司 ZHEJIANG JIESHITAI ELECTRONIC CO., LTD			
AWG #24~#28	1.80mm(max)	6,000Pcs	Phosphor Bronze	Tin-plated	Approved: 刘祚杰
Wire Range	Insulation O.D.	QTY/Reel	Material	Plating	
REV.	DATE	DESCRIPTION	APPD.	DWG NO. CNJST/GCDZ-0042	