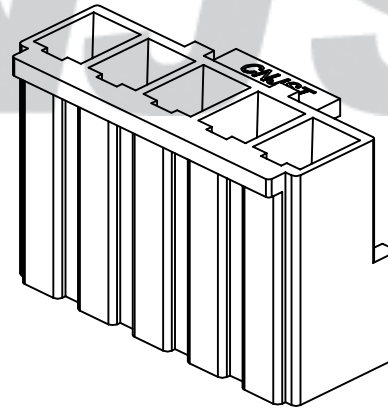
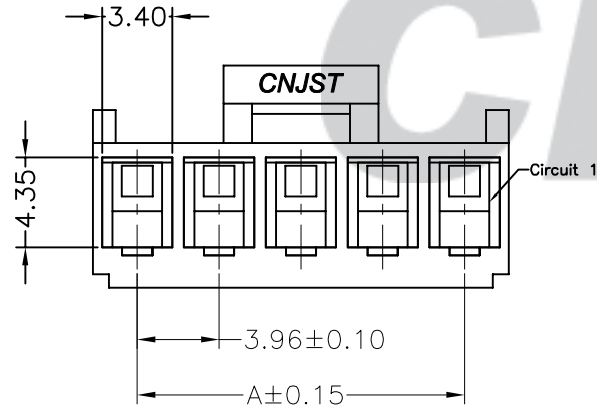
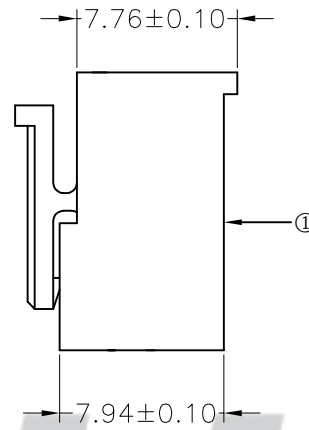
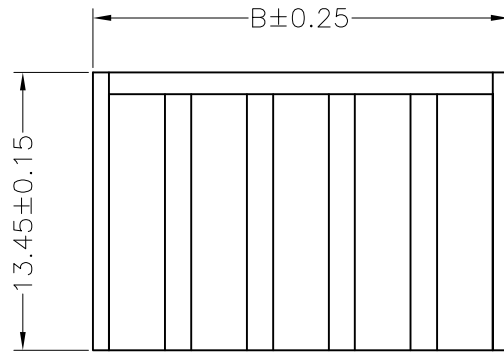


RoHS Compliant

成品图



**SPECIFICATION**

- 1 Contact resistance:  $\leq 10m\Omega$
- 2 Insulation resistance:  $\geq 1000M\Omega$
- 3 Rated voltage: 250 V AC DC
- 4 Rated current: 7 A AC DC
- 5 Withstand Voltage: 1500V AC/minute
- 6 Temperature Range:  $-25^{\circ}C \sim +85^{\circ}C$

**ORDER INFORMATION:**

**A3693Y-\*\*-A6W-P**

PART No.	No. OF CIRCUITS: 02~14	PACKAGING: P=PE PLASTIC MATERIAL: A6W=PA66 (WHITE)
----------	---------------------------	-------------------------------------------------------------

Circuits	Dimensions (mm)		Circuits	Dimensions (mm)	
	A	B		A	B
02	3.96	7.92	09	31.68	35.64
03	7.92	11.88	10	35.64	39.60
04	11.88	15.84	11	39.60	43.56
05	15.84	19.80	12	43.56	47.52
06	19.80	23.76	13	47.52	51.48
07	23.76	27.72	14	51.48	55.44
08	27.72	31.68			

				Tolerance X.X ±0.30 X.XX ±0.20 X.XXX ±0.10 Angle ±3.0°		Model Name: 3.96mm PITCH HOUSING Model No: A3693Y-**-A6W-P		Drawn: 蔡忠忠 2016.05.12	
						SCALE: FULL    REVISION: B/0		Checked: 林旭芝	
								Approved: 刘祚杰	
B/0	2016.05.12	NEW RELEASE		①	Insulator	1	PA66 (UL94V-0)	White	DWG NO. CNJST/GCCP-0112
REV.	DATE	DESCRIPTION	APPD.	NO.	DESCRIPTION	QTY	MATERIAL	PLATING/COLOR	