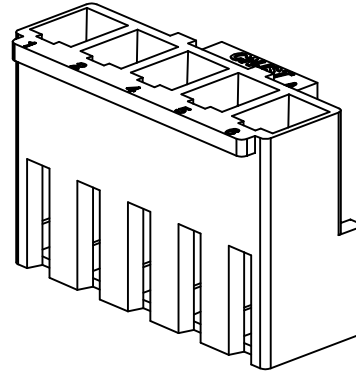
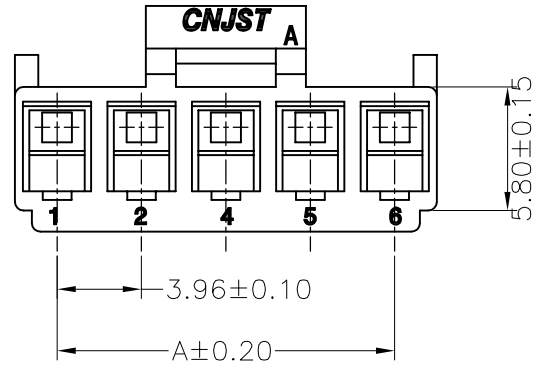


RoHS Compliant

成品图



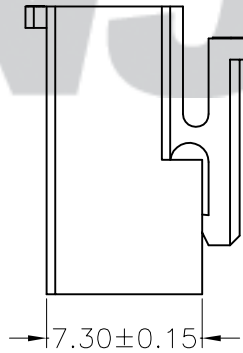
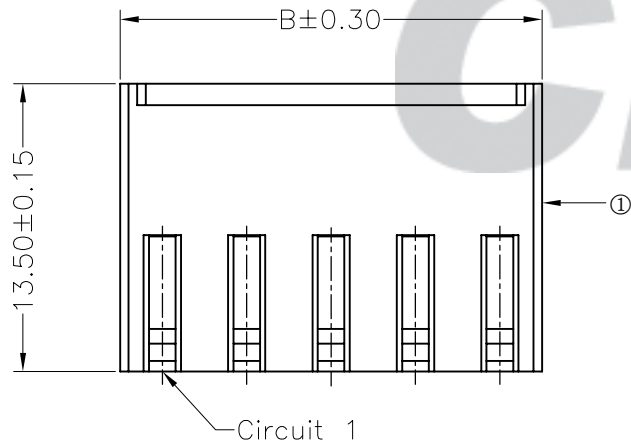
SPECIFICATION

- 1 Contact resistance: $\leq 10\text{m}\Omega$
- 2 Insulation resistance: $\geq 1000\text{M}\Omega$
- 3 Rated voltage: 250 V AC DC
- 4 Rated current: 7 A AC DC
- 5 Withstand Voltage: 1500V AC/minute
- 6 Temperature Range: $-25^{\circ}\text{C} \sim +85^{\circ}\text{C}$

ORDER INFORMATION:

A3962Y--A6W-P**

PART No.	PACKAGING: P=PE
No. OF CIRCUITS: 02~14	PLASTIC MATERIAL: A6W=PA66 (WHITE)



Circuits	Dimensions (mm)		Circuits	Dimensions (mm)	
	A	B		A	B
02	3.96	7.92	09	31.68	35.64
03	7.92	11.88	10	35.64	39.60
04	11.88	15.84	11	39.60	43.56
05	15.84	19.80	12	43.56	47.52
06	19.80	23.76	13	47.52	51.48
07	23.76	27.72	14	51.48	55.44
08	27.72	31.68			

				Tolerance X.X ±0.30 X.XX ±0.20 X.XXX ±0.10 Angle ±3.0°		Model Name: 3.96mm PITCH HOUSING Model No: A3962Y-**-A6W-P		Drawn: 蔡忠忠 2016.05.12																	
						SCALE: FULL REVISION: B/0		Checked: 林旭芝																	
								Approved: 刘祚杰																	
<table border="1" style="width: 100%; border-collapse: collapse;"> <tr> <td style="width: 10%;">REV.</td> <td style="width: 10%;">DATE</td> <td style="width: 30%;">DESCRIPTION</td> <td style="width: 10%;">APPD.</td> <td style="width: 10%;">NO.</td> <td style="width: 10%;">DESCRIPTION</td> <td style="width: 10%;">QTY</td> <td style="width: 10%;">MATERIAL</td> <td style="width: 10%;">PLATING/COLOR</td> </tr> <tr> <td>B/0</td> <td>2016.05.12</td> <td>NEW RELEASE</td> <td></td> <td>①</td> <td>Insulator</td> <td>1</td> <td>PA66 (UL94V-0)</td> <td>White</td> </tr> </table>				REV.	DATE	DESCRIPTION	APPD.	NO.	DESCRIPTION	QTY	MATERIAL	PLATING/COLOR	B/0	2016.05.12	NEW RELEASE		①	Insulator	1	PA66 (UL94V-0)	White	UNIT: mm CNJST 浙江捷仕泰电子有限公司 ZHEJIANG JIESHITAI ELECTRONIC CO., LTD		DWG NO. CNJST/GCCP-0111	
REV.	DATE	DESCRIPTION	APPD.	NO.	DESCRIPTION	QTY	MATERIAL	PLATING/COLOR																	
B/0	2016.05.12	NEW RELEASE		①	Insulator	1	PA66 (UL94V-0)	White																	