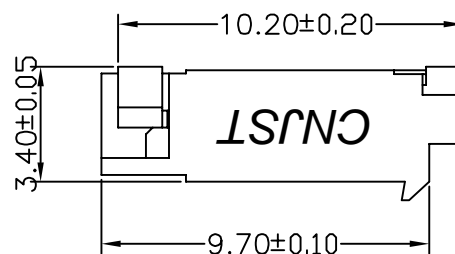
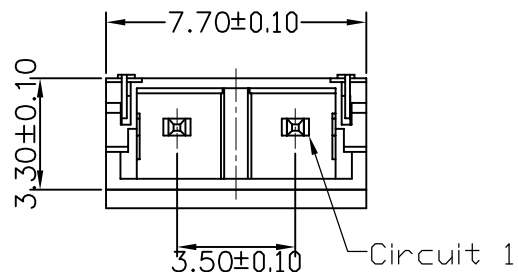


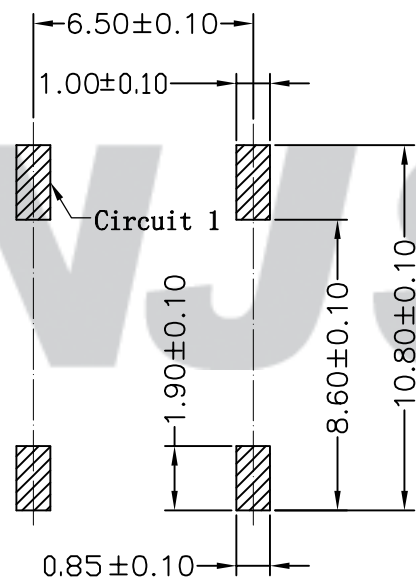
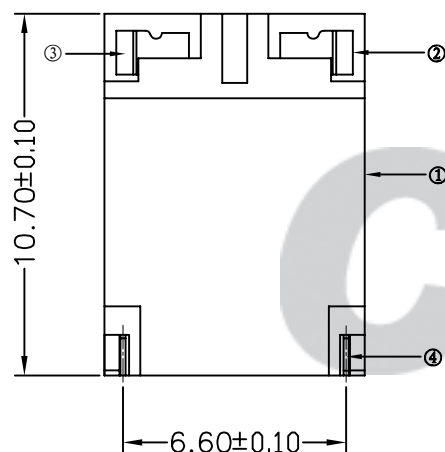
RoHS Compliant

成品图



SPECIFICATION

- 1 Contact resistance: $\leq 10m\Omega$
- 2 Insulation resistance: $\geq 1000M\Omega$
- 3 Rated voltage: 1400 V AC DC
- 4 Rated current: 1.0 A AC DC
- 5 Withstand Voltage: 3800V AC/minute
- 6 Temperature Range: $-25^{\circ}C \sim +85^{\circ}C$

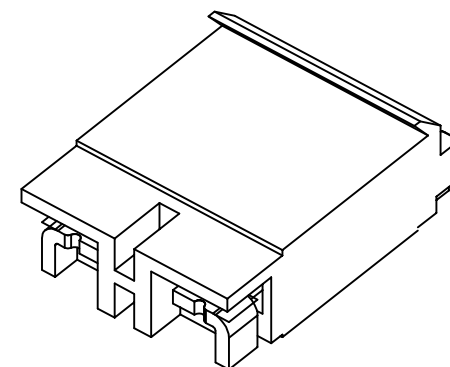


SUGGESTED PCB LAYOUT
(COMPONENT SIDE)

ORDER INFORMATION:

A3504AWR-02-C1MA-*

PART No.		PACKAGING:
No. OF CIRCUITS:	02	G=TUBE R=REEL
PLASTIC MATERIAL:	BIM=PA46 C1M=PA6T	PLATING:
		A=Tin-plated



B/0	2016.05.10	NEW RELEASE	
REV.	DATE	DESCRIPTION	APPD.

NO.	DESCRIPTION	QTY	MATERIAL	PLATING/COLOR
④	Solder Tabs	2	Phosphor Bronze	Tin-plated
③	Contacts 2	1	Phosphor Bronze	Tin-plated
②	Contacts 1	1	Phosphor Bronze	Tin-plated
①	Insulator	1	PA46 (UL94V-0)	Nature

Tolerance	Model Name: 3.50mm PITCH 90° WAFER-SMT TYPE
X.X ±0.30	Model No: A3504AWR-02-C1MA-*
X.XX ±0.20	
X.XXX ±0.10	
Angle ±3.0°	
UNIT: mm	

Model Name: 3.50mm PITCH 90° WAFER-SMT TYPE
Model No: A3504AWR-02-C1MA-*

SCALE: FULL REVISION: B/0

CNJST 浙江捷仕泰电子有限公司
ZHEJIANG JIESHITAI ELECTRONIC CO., LTD

Drawn: 蔡忠忠 2016.05.10

Checked: 林旭芝

Approved: 刘祚杰

DWG NO. CNJST/GCCP-0102