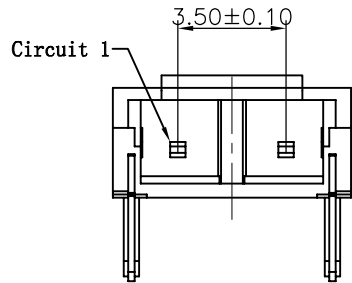
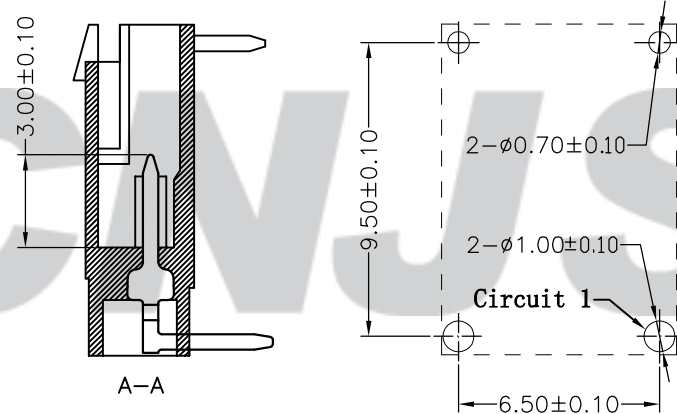
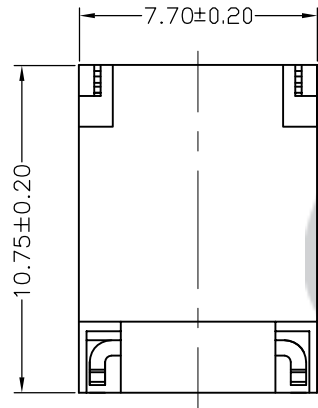
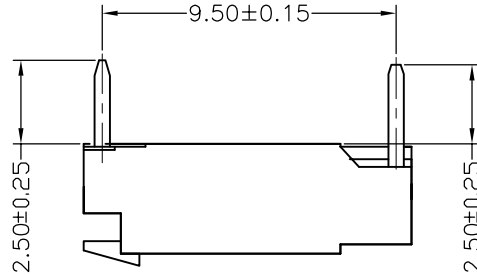
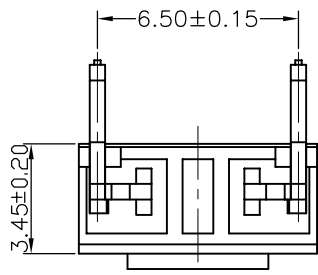


RoHS Compliant

成品图



SPECIFICATION

- 1 Contact resistance: $\leq 10\text{m}\Omega$
- 2 Insulation resistance: $\geq 1000\text{M}\Omega$
- 3 Rated voltage: 1400 V AC DC
- 4 Rated current: 1.0 A AC DC
- 5 Withstand Voltage: 3800V AC/minute
- 6 Temperature Range: $-25^{\circ}\text{C} \sim +85^{\circ}\text{C}$

ORDER INFORMATION:

A3504AW-02-C1MA-G

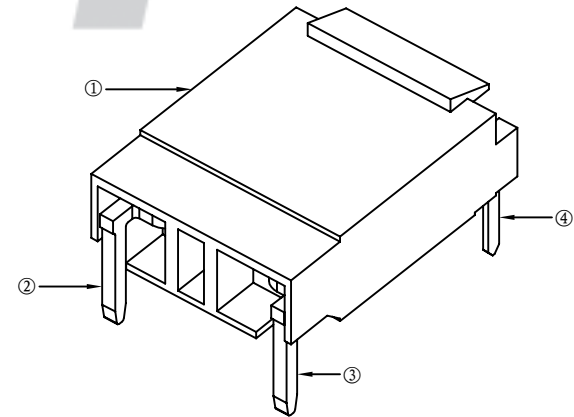
PART No. _____

No. OF CIRCUITS: 02

PLASTIC MATERIAL: C1M=PA6T (BEIGE)

PACKAGING: G=TUBE

PLATING: A=Tin-plated



SUGGESTED PCB LAYOUT
(COMPONENT SIDE)

NO.	DESCRIPTION	QTY	MATERIAL	PLATING/COLOR
④	Solder Tabs	2	Phosphor Bronze	Tin-plated
③	Contacts 2	1	Phosphor Bronze	Tin-plated
②	Contacts 1	1	Phosphor Bronze	Tin-plated
①	Insulator	1	PA6T (UL94V-0)	Beige

Tolerance	Model Name: 3.50mm PITCH 90° WAFER
X.X ±0.30	Model No: A3504AW-02-C1MA-G
X.XX ±0.20	
X.XXX ±0.10	
Angle ±3.0°	
UNIT: mm	CNJST 浙江捷仕泰电子有限公司 ZHEJIANG JIESHITAI ELECTRONIC CO., LTD

Drawn: 蔡忠忠 2016.05.10
Checked: 林旭芝
Approved: 刘祚杰
DWG NO. CNJST/GCCP-0099

REV.	DATE	DESCRIPTION	APPD.
B/0	2016.05.10	NEW RELEASE	