

RoHS Compliant

成品图

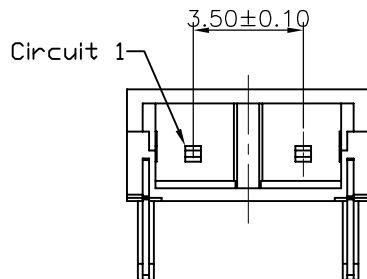
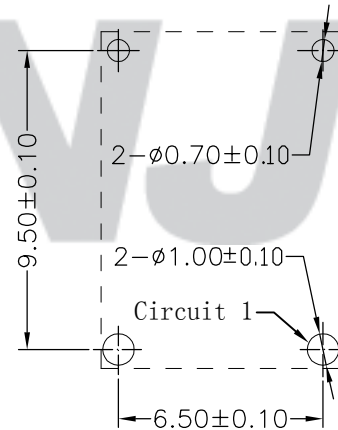
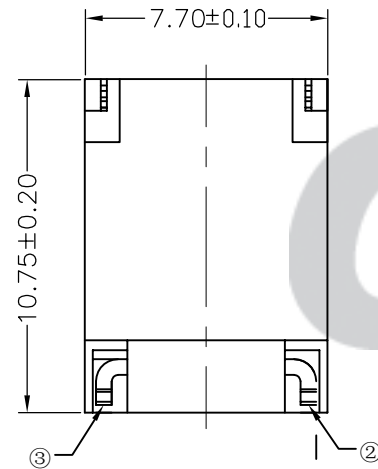
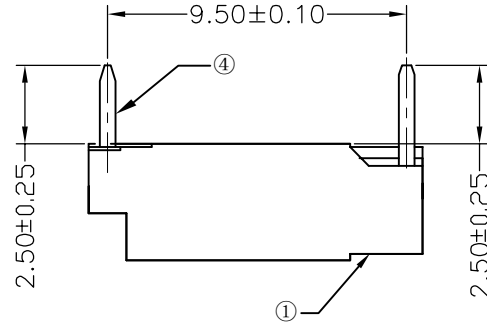
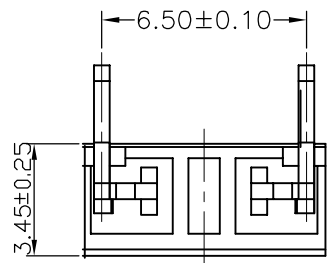
SPECIFICATION

- 1 Contact resistance:  $\leq 10m\Omega$
- 2 Insulation resistance:  $\geq 1000M\Omega$
- 3 Rated voltage: 1400 V AC DC
- 4 Rated current: 1.0 A AC DC
- 5 Withstand Voltage: 3800V AC/minute
- 6 Temperature Range:  $-25^{\circ}C \sim +85^{\circ}C$

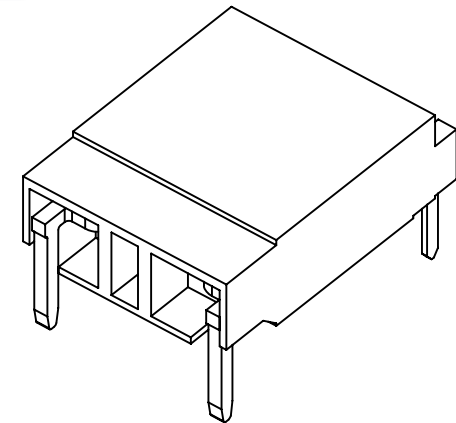
ORDER INFORMATION:

**A3501AW-02-C1M\*-G**

PART No.		PACKAGING: G=TUBE
No. OF CIRCUITS:	02	PLATING: A=Tin-plated B=Matte Sn
PLASTIC MATERIAL:	C1M=PA6T (BEIGE)	



SUGGESTED PCB LAYOUT  
(COMPONENT SIDE)



B/0	2016.05.10	NEW RELEASE	
REV.	DATE	DESCRIPTION	APPD.

NO.	DESCRIPTION	QTY	MATERIAL	PLATING/COLOR
④	Solder Tabs	2	Phosphor Bronze	
③	Contacts 2	1	Phosphor Bronze	
②	Contacts 1	1	Phosphor Bronze	
①	Insulator	1	PA46 (UL94V-0)	Beige

Tolerance	Model Name: 3.50mm PITCH 90° WAFER
X.X ±0.30	Model No: A3501AW-02-C1M*-G
X.XX ±0.20	
X.XXX ±0.10	
Angle ±3.0°	
UNIT: mm	SCALE: FULL REVISION: B/0
	<b>CNJST</b> 浙江捷仕泰电子有限公司 ZHEJIANG JIESHITAI ELECTRONIC CO., LTD

Drawn: 蔡忠忠 2016.05.10
Checked: 林旭芝
Approved: 刘祚杰
DWG NO. CNJST/GCCP-0096