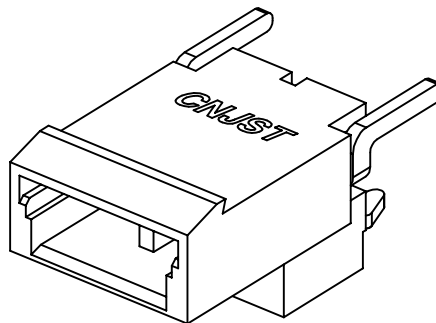
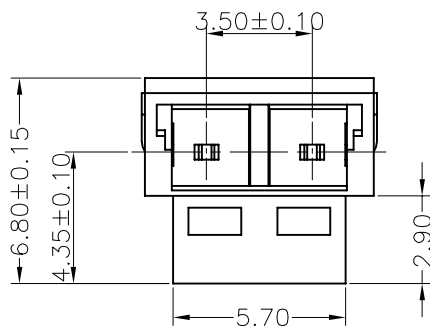


RoHS Compliant

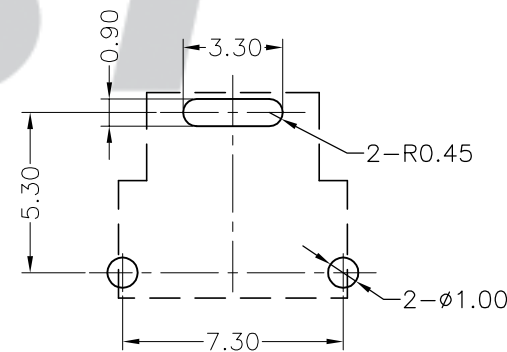
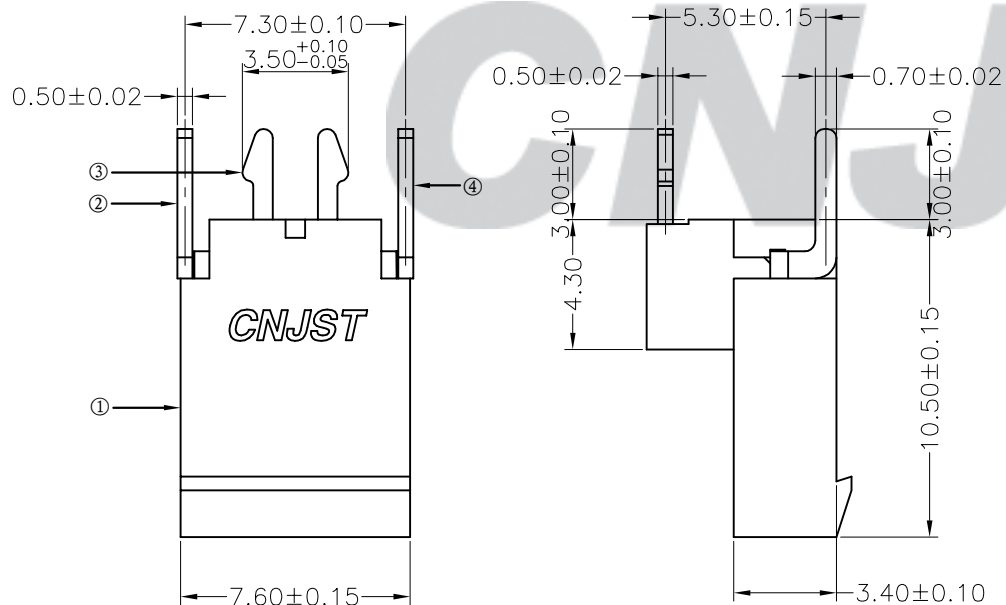
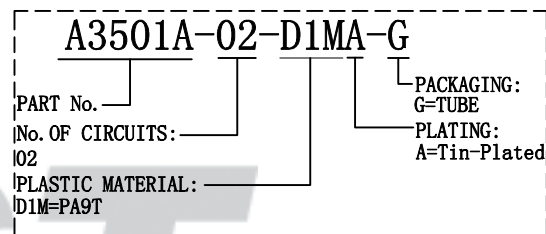
成品图



SPECIFICATION

- 1 Contact resistance:  $\leq 30m\Omega$
- 2 Insulation resistance:  $\geq 1000M\Omega$
- 3 Rated voltage: 1400 V AC DC
- 4 Rated current: 1.0 A AC DC
- 5 Withstand Voltage: 3800V AC/minute
- 6 Temperature Range:  $-25^{\circ}C \sim +85^{\circ}C$

ORDER INFORMATION:



SUGGESTED PCB LAYOUT  
(COMPONENT SIDE)

REV.	DATE	DESCRIPTION	APPD.	NO.	DESCRIPTION	QTY	MATERIAL	PLATING/COLOR
B/0	2016.06.12	NEW RELEASE		④	Solder Tabs	1	Phosphor Bronze	Tin-plated
				③	Contacts 2	1	Phosphor Bronze	Tin-plated
				②	Contacts 1	1	Phosphor Bronze	Tin-plated
				①	Insulator	1	PA9T (UL94V-0)	Nature

Tolerance	Model Name: 3.50mm pitch 180° WAFER
X.X ±0.30	Model No: A3501A-02-D1MA-G
X.XX ±0.20	SCALE: FULL
X.XXX ±0.10	
Angle ±3.0°	
UNIT: mm	<b>CNJST</b> 浙江捷仕泰电子有限公司 ZHEJIANG JIESHITAI ELECTRONIC CO., LTD

Drawn: 张育斌 2016.06.12
Checked: 林旭芝
Approved: 刘祚杰
DWG NO. CNJST/GCCP-0218