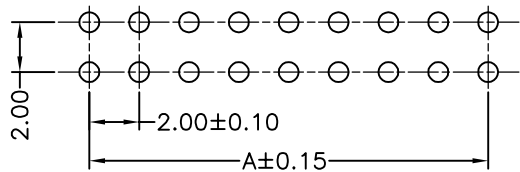
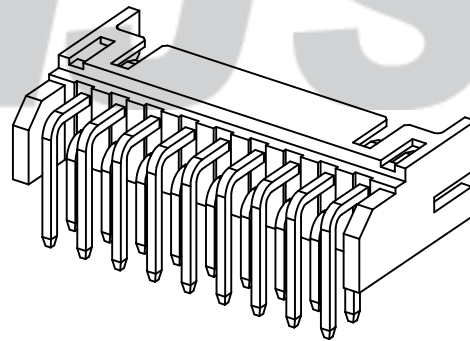
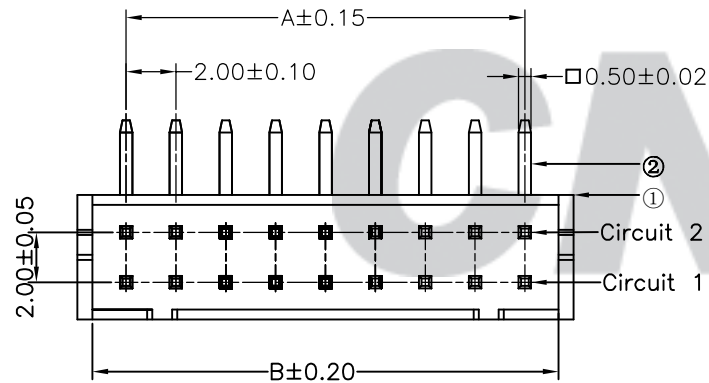
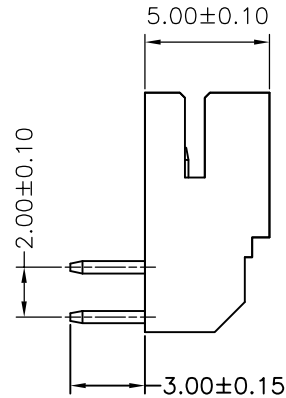
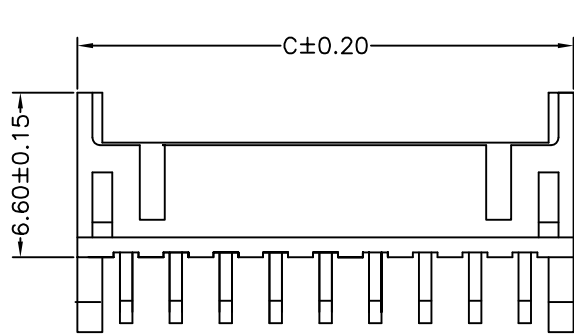


RoHS Compliant

成品图



SUGGESTED PCB LAYOUT  
(COMPONENT SIDE)

SPECIFICATION

- 1 Contact resistance:  $\leq 30m\Omega$
- 2 Insulation resistance:  $\geq 1000M\Omega$
- 3 Rated voltage: 250 V AC DC
- 4 Rated current: 2.0 A AC DC
- 5 Withstand Voltage: 1000V AC/minute
- 6 Temperature Range:  $-25^{\circ}C \sim +85^{\circ}C$

ORDER INFORMATION:

**A2008AWD-\*\*\*-A2KA-B**

PART No. \_\_\_\_\_

No. OF CIRCUITS: \_\_\_\_\_

2X2~2X15

PLASTIC MATERIAL: \_\_\_\_\_

A2K=PA66 (BLACK)

PACKAGING: \_\_\_\_\_

B=TRAY

PLATING: \_\_\_\_\_

A=Tin-plated

Circuits	Dimensions (mm)			Circuits	Dimensions (mm)		
	A	B	C		A	B	C
202 (2X2)	2.00	4.70	5.90	209 (2X9)	16.00	18.70	19.90
203 (2X3)	4.00	6.70	7.90	210 (2X10)	18.00	20.70	21.90
204 (2X4)	6.00	8.70	9.90	211 (2X11)	20.00	22.70	23.90
205 (2X5)	8.00	10.70	11.90	212 (2X12)	22.00	24.70	25.90
206 (2X6)	10.00	12.70	13.90	213 (2X13)	24.00	26.70	27.90
207 (2X7)	12.00	14.70	15.90	214 (2X14)	26.00	28.70	29.90
208 (2X8)	14.00	16.70	17.90	215 (2X15)	28.00	30.70	31.90

B/0	2016.05.18	NEW RELEASE	
REV.	DATE	DESCRIPTION	APPD.

③	Contacts	02~15	Brass	Tin-plated
②	Contacts	02~15	Brass	Tin-plated
①	Insulator	1	PA66 (UL94V-0)	Black
NO.	DESCRIPTION	QTY	MATERIAL	PLATING/COLOR

Tolerance  
X.X ±0.30  
X.XX ±0.20  
X.XXX ±0.10  
Angle ±3.0°

Model Name: 2.00mm PITCH 90° WAFER  
Model No: A2008AWD-\*\*\*-A2KA-B

SCALE: FULL REVISION: B/0

UNIT: mm

**CNJST** 浙江捷仕泰电子有限公司  
ZHEJIANG JIESHITAI ELECTRONIC CO., LTD

Drawn: 蔡忠忠 2016.05.18

Checked: 林旭芝

Approved: 刘祚杰

DWG NO. CNJST/GCCP-0151