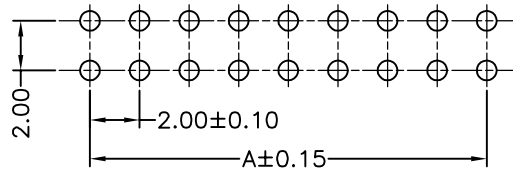
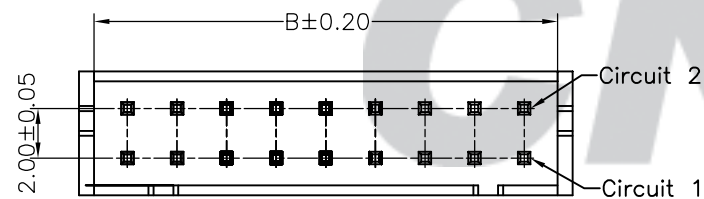
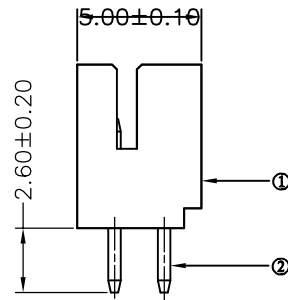
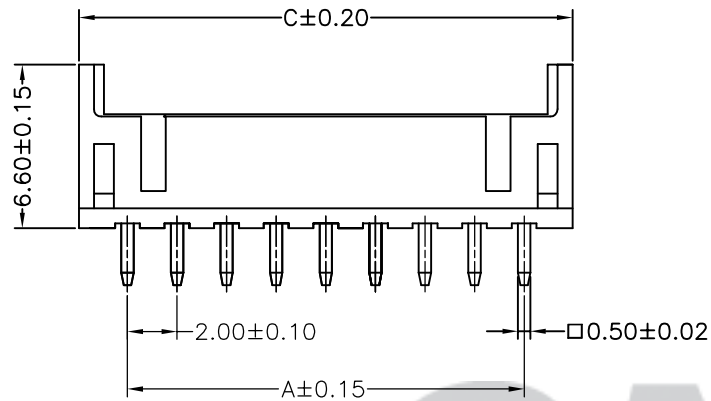
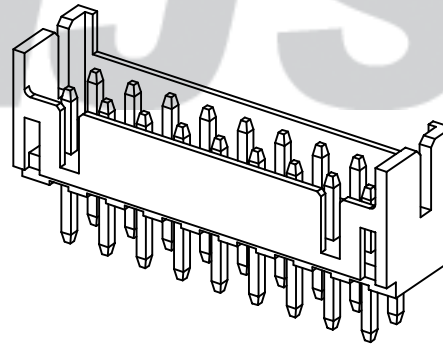


RoHS Compliant

成品图



SUGGESTED PCB LAYOUT
(COMPONENT SIDE)



SPECIFICATION

- 1 Contact resistance: $\leq 30m\Omega$
- 2 Insulation resistance: $\geq 1000M\Omega$
- 3 Rated voltage: 250 V AC DC
- 4 Rated current: 2.0 A AC DC
- 5 Withstand Voltage: 1000V AC/minute
- 6 Temperature Range: $-25^{\circ}C \sim +85^{\circ}C$

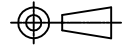
ORDER INFORMATION:

A2008A-*-A1MA-B-D**

PART No.				
No. OF CIRCUITS:				PACKAGING: B=TRAY
2X2~2X15				PLATING: A=Tin-plated B=Matte Sn
PLASTIC MATERIAL:				
A1M=PA66 (Beige)				

Circuits	Dimensions (mm)			Circuits	Dimensions (mm)		
	A	B	C		A	B	C
202 (2X2)	2.00	4.70	5.90	209 (2X9)	16.00	18.70	19.90
203 (2X3)	4.00	6.70	7.90	210 (2X10)	18.00	20.70	21.90
204 (2X4)	6.00	8.70	9.90	211 (2X11)	20.00	22.70	23.90
205 (2X5)	8.00	10.70	11.90	212 (2X12)	22.00	24.70	25.90
206 (2X6)	10.00	12.70	13.90	213 (2X13)	24.00	26.70	27.90
207 (2X7)	12.00	14.70	15.90	214 (2X14)	26.00	28.70	29.90
208 (2X8)	14.00	16.70	17.90	215 (2X15)	28.00	30.70	31.90

B/O	2016.05.04	NEW RELEASE							
REV.	DATE	DESCRIPTION	APPD.	NO.	DESCRIPTION	QTY	MATERIAL	PLATING/COLOR	
				②	Contacts	04~30	Brass	Matte Sn	
				①	Insulator	1	PA66 (UL94V-0)	Nature	

Tolerance X.X ±0.30 X.XX ±0.20 X.XXX ±0.10 Angle ±3.0°	Model Name: 2.00mm PITCH 180° WAFER Model No: A2008A-***-A1MA-B-D	Drawn: 蔡忠忠 2016.05.04
UNIT: mm	 SCALE: FULL REVISION: B/0	Checked: 林旭芝
	CNJST 浙江捷仕泰电子有限公司 ZHEJIANG JIESHITAI ELECTRONIC CO., LTD	Approved: 刘祥杰
		DWG NO. CNJST/GCCP-0053