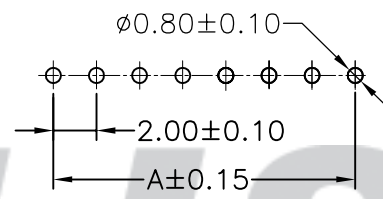
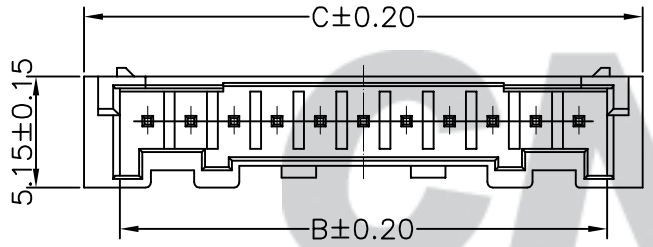
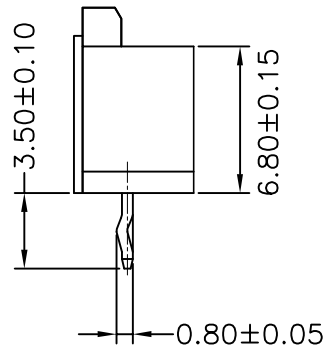
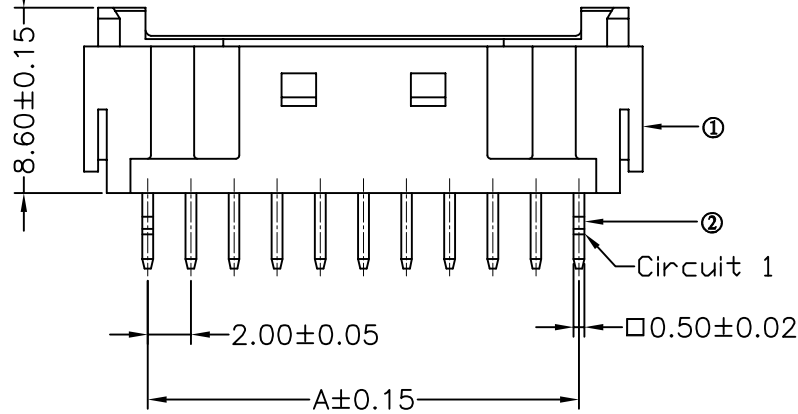


RoHS Compliant

成品图



SUGGESTED PCB LAYOUT  
(COMPONENT SIDE)

SPECIFICATION

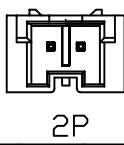
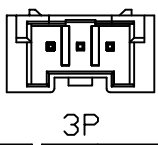
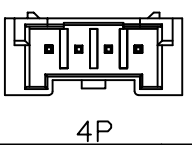
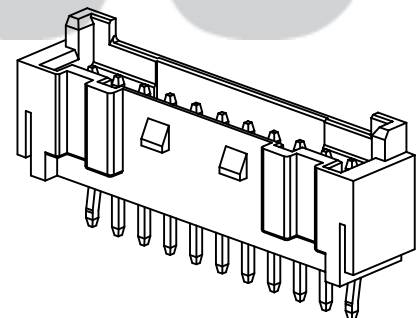
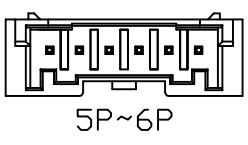
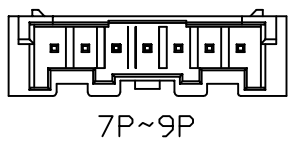
- 1 Contact resistance:  $\leq 10m\Omega$
- 2 Insulation resistance:  $\geq 1000M\Omega$
- 3 Rated voltage: 250 V AC DC
- 4 Rated current: 3.0 A AC DC
- 5 Withstand Voltage: 800V AC/minute
- 6 Temperature Range:  $-25^{\circ}C \sim +85^{\circ}C$

ORDER INFORMATION:

**A2006A-\*\*-A1MA-P**

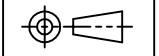
PART No.			
No. OF CIRCUITS:			PACKAGING:
02~15			P=PE
PLASTIC MATERIAL:			PLATING:
A1M=PA66			A=Tin-plated

Circuits	Dimensions (mm)		
	A	B	C
02	2.00	4.60	7.90
03	4.00	6.60	9.90
04	6.00	8.60	11.90
05	8.00	10.60	13.90
06	10.00	12.60	15.90
07	12.00	14.60	17.90
08	14.00	16.60	19.90
09	16.00	18.60	21.90
10	18.00	20.60	23.90
11	20.00	22.60	25.90
12	22.00	24.60	27.90
13	24.00	26.60	29.90
14	26.00	28.60	31.90
15	28.00	30.60	33.90



Tolerance	
X.X ±0.30	
X.XX ±0.20	
X.XXX ±0.10	
Angle ±3.0°	

Model Name: 2.00mm PITCH 180° WAFER  
Model No: A2006A-\*\*-A1MA-P



SCALE: FULL REVISION: B/0

Drawn: 蔡忠忠 2016.05.09

Checked: 林旭芝

Approved: 刘祚杰

UNIT: mm

**CNJST** 浙江捷仕泰电子有限公司  
ZHEJIANG JIESHITAI ELECTRONIC CO., LTD

DWG NO. CNJST/GCCP-0068

B/0	2016.05.09	NEW RELEASE	
REV.	DATE	DESCRIPTION	APPD.

②	Contacts	2~16	Brass	
①	Insulator	1	PA66 (UL94V-0)	Nature
NO.	DESCRIPTION	QTY	MATERIAL	PLATING/COLOR