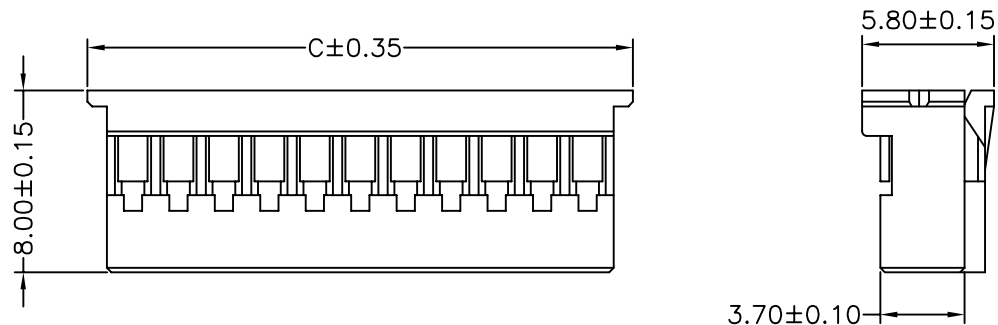


RoHS Compliant

成品图



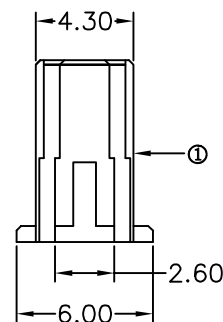
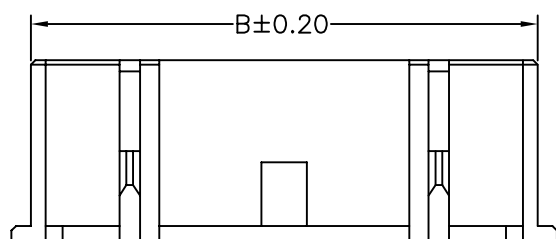
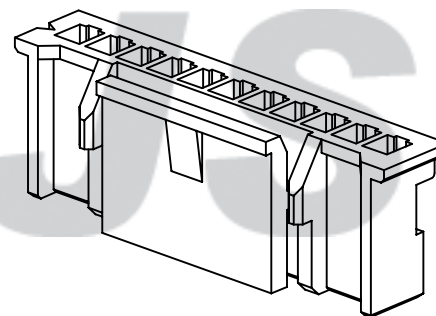
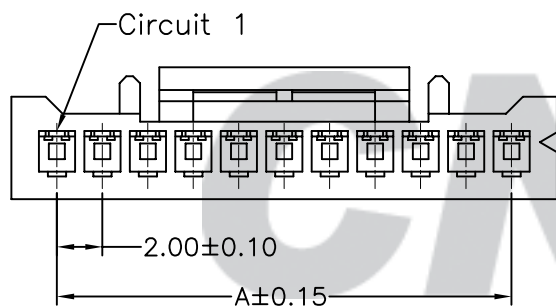
SPECIFICATION

- 1 Contact resistance: $\leq 10m\Omega$
- 2 Insulation resistance: $\geq 1000M\Omega$
- 3 Rated voltage: 250 V AC DC
- 4 Rated current: 3.0 A AC DC
- 5 Withstand Voltage: 800V AC/minute
- 6 Temperature Range: $-25^{\circ}C \sim +85^{\circ}C$

ORDER INFORMATION:

A2006Y-**-A6W-P

PART No. _____ PACKAGING: P=PE
 No. OF CIRCUITS: _____ PLASTIC MATERIAL: A6W=PA66 (WHITE)
 02~15



Circuits	Dimensions (mm)		
	A	B	C
02	2.00	4.30	6.00
03	4.00	6.30	8.00
04	6.00	8.30	10.00
05	8.00	10.30	12.00
06	10.00	12.30	14.00
07	12.00	14.30	16.00
08	14.00	16.30	18.00
09	16.00	18.30	20.00
10	18.00	20.30	22.00
11	20.00	22.30	24.00
12	22.00	24.30	26.00
13	24.00	26.30	28.00
14	26.00	28.30	30.00
15	28.00	30.30	32.00

2P

Tolerance	Model Name: 2.00mm PITCH HOUSING	Drawn: 蔡忠忠 2016.05.20
X.X ±0.30	Model No: A2006Y-**-A6W-P	
X.XX ±0.20	SCALE: FULL REVISION: B/0	Checked: 林旭芝
X.XXX ±0.10		UNIT: mm CNJST 浙江捷仕泰电子有限公司 ZHEJIANG JIESHITAI ELECTRONIC CO., LTD
Angle ±3.0°		

REV.	DATE	DESCRIPTION	APPD.	NO.	DESCRIPTION	QTY	MATERIAL	PLATING/COLOR
B/0	2016.05.20	NEW RELEASE		①	Insulator	1	PA66 (UL94V-0)	White