

RoHS Compliant

成品图

SPECIFICATION

- 1 Contact resistance: $\leq 20m\Omega$
- 2 Insulation resistance: $\geq 1000M\Omega$
- 3 Rated voltage: 125 V AC DC
- 4 Rated current: 2.0 A AC DC
- 5 Withstand Voltage: 1000V AC/minute
- 6 Temperature Range: $-25^{\circ}C \sim +85^{\circ}C$

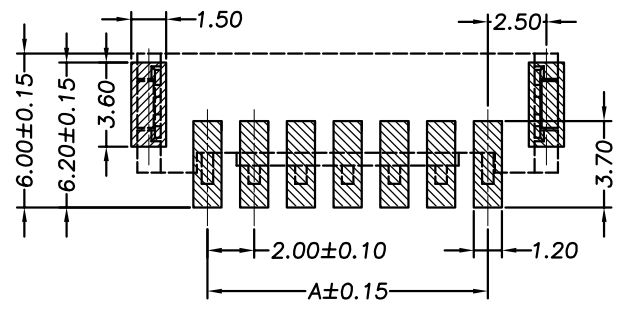
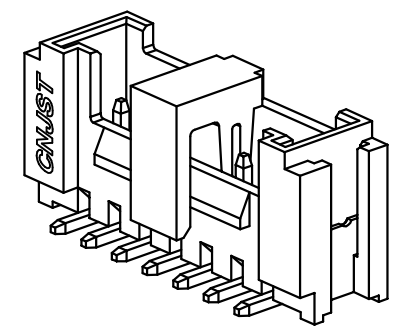
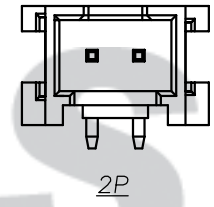
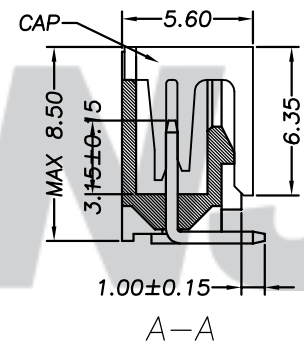
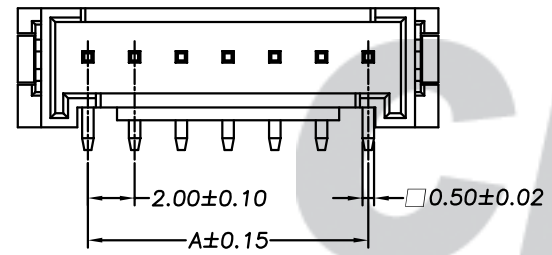
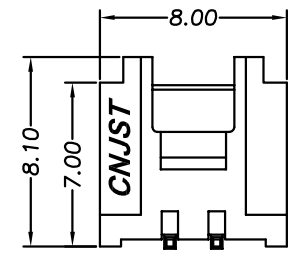
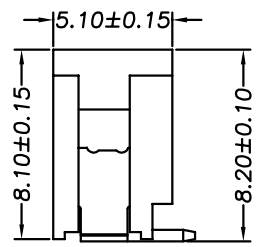
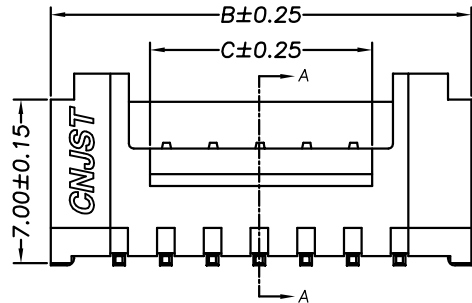
ORDER INFORMATION:

A2004AWV--F2MB-R-X**

PART No. _____
 No. OF CIRCUITS: _____ C=Cap
 PACKAGING: _____ R=Reel
 02~15
 PLASTIC MATERIAL: _____
 F2M=LCP (BEIGE) PLATING: _____
 B=Matte Sn

Circuits	Dimensions (mm)		
	A	B	C
2	2.00	8.00	2.80
3	4.00	10.00	3.20
4	6.00	12.00	3.50
5	8.00	14.00	5.50
6	10.00	16.00	7.50
7	12.00	18.00	9.50
8	14.00	20.00	11.50
9	16.00	22.00	13.50
10	18.00	24.00	15.50
11	20.00	26.00	15.50
12	22.00	28.00	15.50
13	24.00	30.00	15.50
14	26.00	32.00	15.50
15	28.00	34.00	15.50

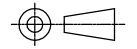
专利产品



SUGGESTED PCB LAYOUT
(COMPONENT SIDE)

NO.	DESCRIPTION	QTY	MATERIAL	PLATING/COLOR
③	Cap	1	LCP (UL94V-0)	Beige
③	Solder Tab	2	Phosphor Bronze	Tin-plated
②	Contacts	2~15	Brass	Mattn Sn
①	Insulator	1	LCP (UL94V-0)	Beige

Tolerance
 X.X ±0.30
 X.XX ±0.20
 X.XXX ±0.10
 Angle ±3.0°
 UNIT: mm

Model Name: 2.00mm pitch 180° WAFER-SMT TYPE
 Model No: A2004AWV-**-F2MB-R-X
 SCALE:FULL REVISION:B/0
CNJST 浙江捷仕泰电子有限公司
 ZHEJIANG JIESHITAI ELECTRONIC CO., LTD

Drawn: 张育斌 2016.04.13
 Checked: 林旭芝
 Approved: 刘祚杰
 DWG NO. CNJST/GCCP-0277

REV.	DATE	DESCRIPTION	APPD.
B/0	2016.04.12	NEW RELEASE	