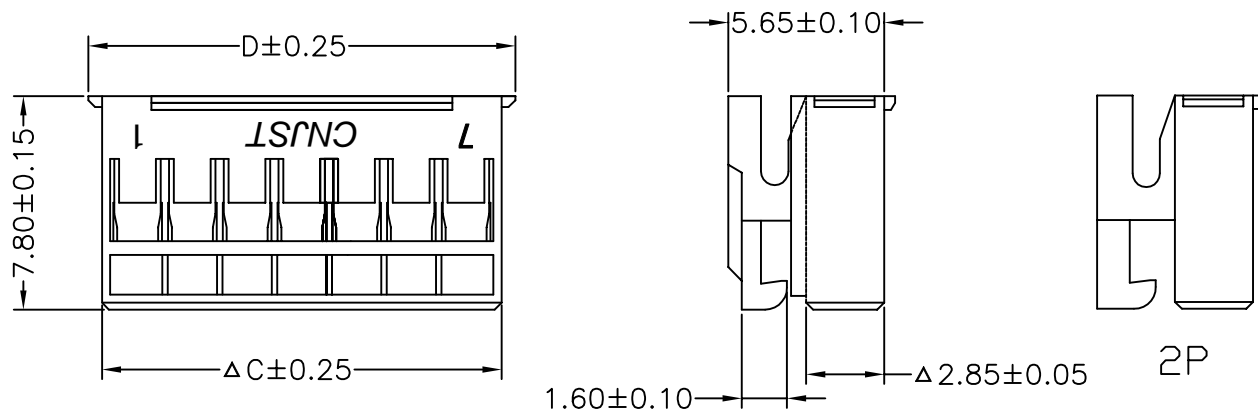


RoHS Compliant

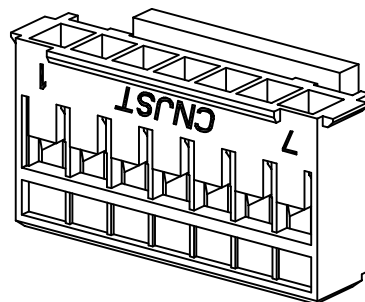
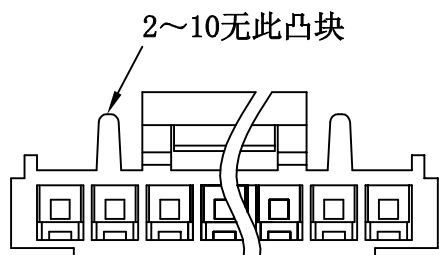
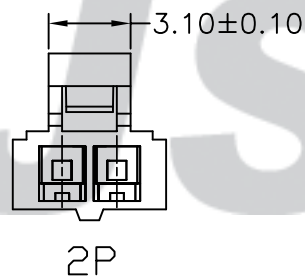
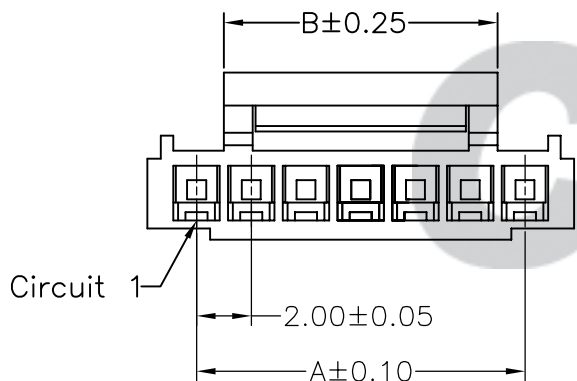
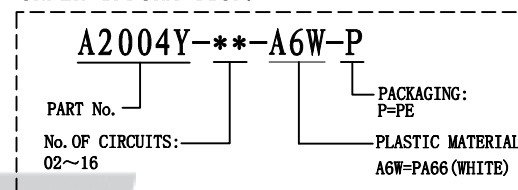
成品图



SPECIFICATION

- 1 Contact resistance: $\leq 20m\Omega$
- 2 Insulation resistance: $\geq 1000M\Omega$
- 3 Rated voltage: 125 V AC DC
- 4 Rated current: 2.0 A AC DC
- 5 Withstand Voltage: 1000V AC/minute
- 6 Temperature Range: $-25^{\circ}C \sim +85^{\circ}C$

ORDER INFORMATION:



Circuits	Dimensions (mm)			
	A	B	C	D
02	2.00	3.10	4.60	5.60
03	4.00	3.30	6.60	7.60
04	6.00	4.30	8.60	9.60
05	8.00	6.30	10.60	11.60
06	10.00	8.30	12.60	13.60
07	12.00	10.30	14.60	15.60
08	14.00	12.30	16.60	17.60
09	16.00	12.30	18.60	19.60
10	18.00	12.30	20.60	21.60
11	20.00	16.20	22.60	23.60
12	22.00	16.20	24.60	25.60
13	24.00	16.20	26.60	27.60
14	26.00	16.20	28.60	29.60
15	28.00	16.20	30.60	31.60
16	30.00	16.20	32.60	33.60

11~15P

Tolerance X.X ±0.30 X.XX ±0.20 X.XXX ±0.10 Angle ±3.0°	Model Name: 2.00mm PITCH HOUSING		Drawn: 蔡忠忠 2016.05.09
	Model No: A2004Y-***-A6W-P (HY-nP)		
UNIT: mm	SCALE: FULL	REVISION: B/0	Checked: 林旭芝
	CNJST 浙江捷仕泰电子有限公司 ZHEJIANG JIESHITAI ELECTRONIC CO., LTD		Approved: 刘祚杰
			DWG NO. CNJST/GCCP-0064

REV.	DATE	DESCRIPTION	APPD.	NO.	DESCRIPTION	QTY	MATERIAL	PLATING/COLOR
B/0	2016.05.09	NEW RELEASE		①	Insulator	1	PA66 (UL94V-0)	White