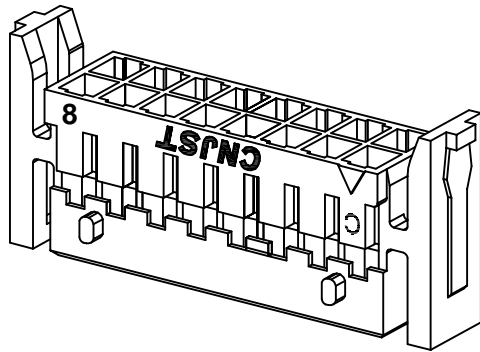
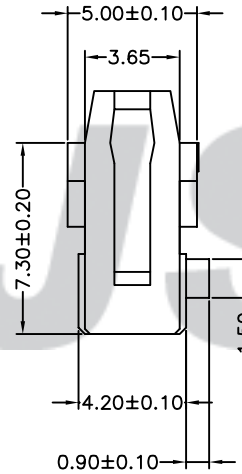
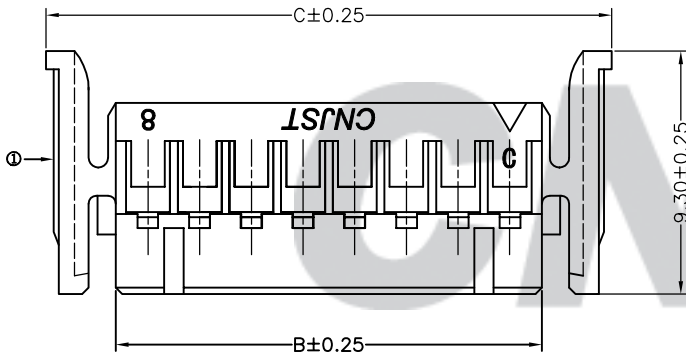
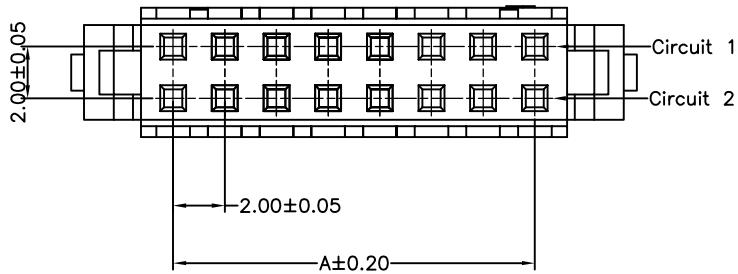


RoHS Compliant

成品图



SPECIFICATION

- 1 Contact resistance: $\leq 10\text{m}\Omega$
- 2 Insulation resistance: $\geq 1000\text{M}\Omega$
- 3 Rated voltage: 250 V AC DC
- 4 Rated current: 2.0 A AC DC
- 5 Withstand Voltage: 800V AC/minute
- 6 Temperature Range: $-25^{\circ}\text{C} \sim +85^{\circ}\text{C}$

ORDER INFORMATION:

A2003Y-*-A6W-P**

PART No.
 No. OF CIRCUITS: 2X2~2X15
 PACKAGING: P=PE
 PLASTIC MATERIAL: A6W=PA66 (WHITE)

Circuits	Dimensions (mm)			Circuits	Dimensions (mm)		
	A	B	C		A	B	C
202 (2X2)	2.00	4.40	9.80	209 (2X9)	16.00	18.40	23.80
203 (2X3)	4.00	6.40	11.80	210 (2X10)	18.00	20.40	25.80
204 (2X4)	6.00	8.40	13.80	211 (2X11)	20.00	22.40	27.80
205 (2X5)	8.00	10.40	15.80	212 (2X12)	22.00	24.40	29.80
206 (2X6)	10.00	12.40	17.80	213 (2X13)	24.00	26.40	31.80
207 (2X7)	12.00	14.40	19.80	214 (2X14)	26.00	28.40	33.80
208 (2X8)	14.00	16.40	21.80	215 (2X15)	28.00	30.40	35.80

Tolerance X.X ±0.30 X.XX ±0.20 X.XXX ±0.10 Angle ±3.0°	Model Name: 2.00mm PITCH HOUSING	SCALE: FULL	REVISION: B/0	Drawn: 蔡忠忠 2016.05.06
	Model No: A2003Y-***-A6W-P			Checked: 林旭芝
UNIT: mm	CNJST 浙江捷仕泰电子有限公司 ZHEJIANG JIESHITAI ELECTRONIC CO., LTD			Approved: 刘祚杰
				DWG NO. CNJST/GCCP-0060

REV.	DATE	DESCRIPTION	APPD.	NO.	DESCRIPTION	QTY	MATERIAL	PLATING/COLOR
B/0	2016.05.06	NEW RELEASE		①	Insulator	1	PA66 (UL94V-0)	White