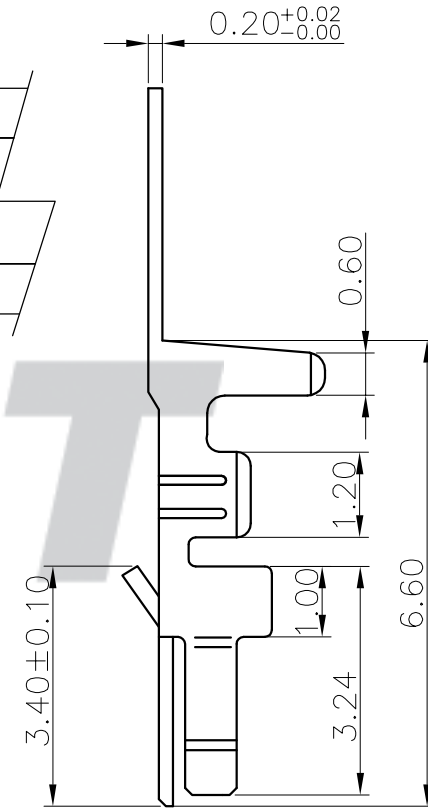
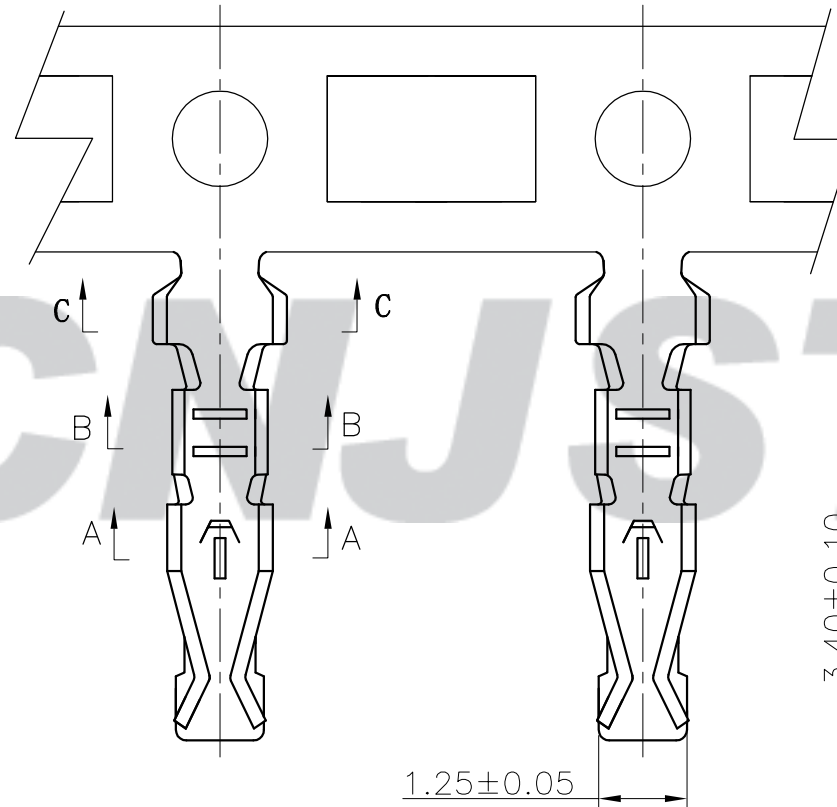
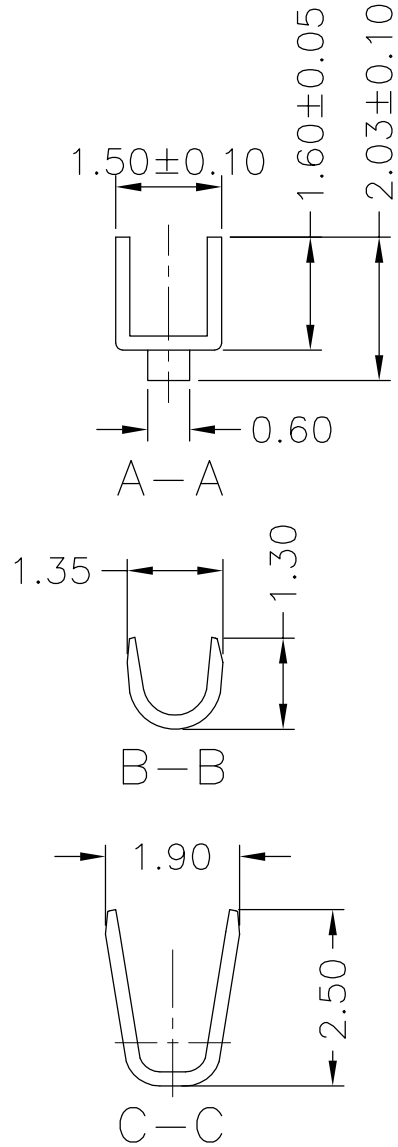


RoHS Compliant

端子图



REV.	DATE	DESCRIPTION	APPD.	Part No	Wire Range	Insulation O.D.	QTY/Reel	Material	Plating
				A2002T-PC-Z	AWG #24~#28	1.60mm(max)	10,000Pcs	Phosphor Bronze	Gold-plated
				A2002T-PA-Z	AWG #24~#28	1.60mm(max)	10,000Pcs	Phosphor Bronze	Tin-plated

Tolerance X.X ±0.30 X.XX ±0.20 X.XXX ±0.10 Angle ±3.0°	Model Name: 1.00mm PITCH CRIMP TERMINAL	
	Model No: A2002T-P*-Z	
	SCALE: FULL	REVISION: B/1
UNIT: mm	CNJST 浙江捷仕泰电子有限公司 ZHEJIANG JIESHITAI ELECTRONIC CO., LTD	

Drawn: 张育斌 2016.06.13
Checked: 林旭芝
Approved: 刘祚杰
DWG NO. CNJST/GCDZ-0007