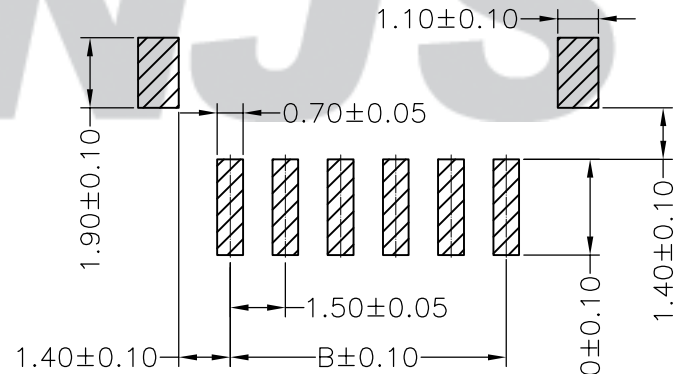
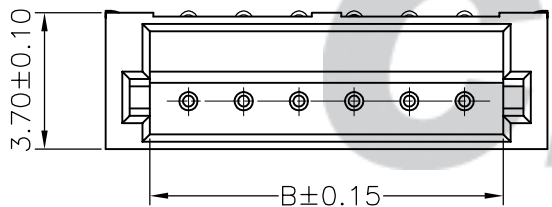
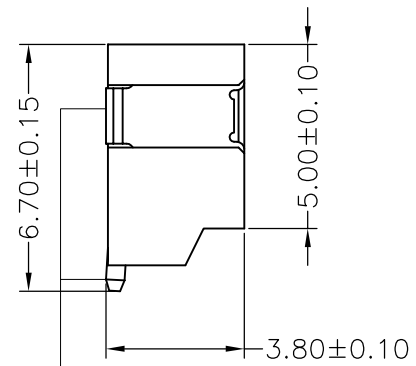
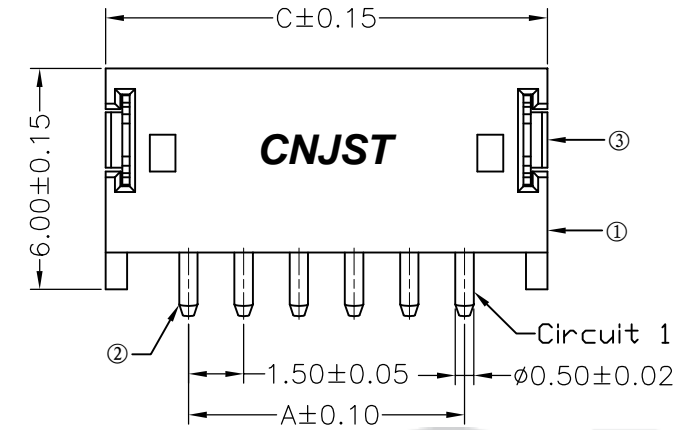
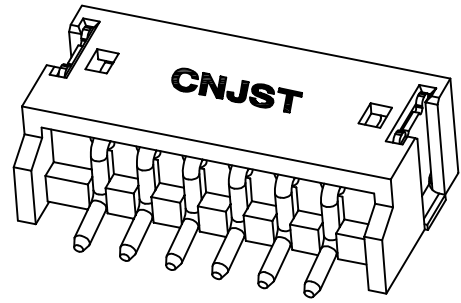


RoHS Compliant

成品图



SUGGESTED PCB LAYOUT
(COMPONENT SIDE)



SPECIFICATION

- 1 Contact resistance: $\leq 20m\Omega$
- 2 Insulation resistance: $\geq 500M\Omega$
- 3 Rated voltage: 50 V AC DC
- 4 Rated current: 1.0 A AC DC
- 5 Withstand Voltage: 500V AC/minute
- 6 Temperature Range: $-25^{\circ}C \sim +105^{\circ}C$

ORDER INFORMATION:

A1501AWR--F2MA-R**

PART No. _____ PACKAGING: R=REEL

No. OF CIRCUITS: _____ PLATING: A=Tin-plated C=Gold-plated

02~16 _____

PLASTIC MATERIAL: _____ F2M=LCP

Circuits	Dimensions (mm)		
	A	B	C
02	1.50	3.60	6.00
03	3.00	5.10	7.50
04	4.50	6.60	9.00
05	6.00	8.10	10.50
06	7.50	9.60	12.00
07	9.00	11.10	13.50
08	10.50	12.60	15.00
09	12.00	14.10	16.50
10	13.50	15.60	18.00
11	15.00	17.10	19.50
12	16.50	18.60	21.00
13	18.00	20.10	22.50
14	19.50	21.60	24.00
15	21.00	23.10	25.50
16	22.50	24.60	27.00

专利产品

B/0	2016.05.04	NEW RELEASE	
REV.	DATE	DESCRIPTION	APPD.
1			

③	Solder Tab	2	Phosphor Bronze	Tin-plated
②	Contacts	2~16	Brass	Tin-plated
①	Insulator	1	LCP (UL94V-0)	Nature
NO.	DESCRIPTION	QTY	MATERIAL	PLATING/COLOR

Tolerance
X.X ±0.30
X.XX ±0.20
X.XXX ±0.10
Angle ±3.0°

Model Name: 1.50mm PITCH 90° WAFER SMT-TYPE
Model No: A1501AWR-**-F2MA-R

SCALE: FULL REVISION: B/0

UNIT: mm

CNJST 浙江捷仕泰电子有限公司
ZHEJIANG JIESHITAI ELECTRONIC CO., LTD

Drawn: 蔡忠忠 2016.05.04

Checked: 林旭芝

Approved: 刘祚杰

DWG NO. CNJST/GCCP-0043