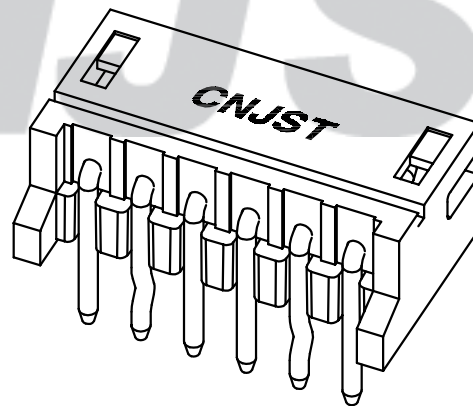
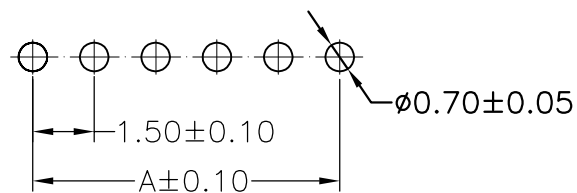
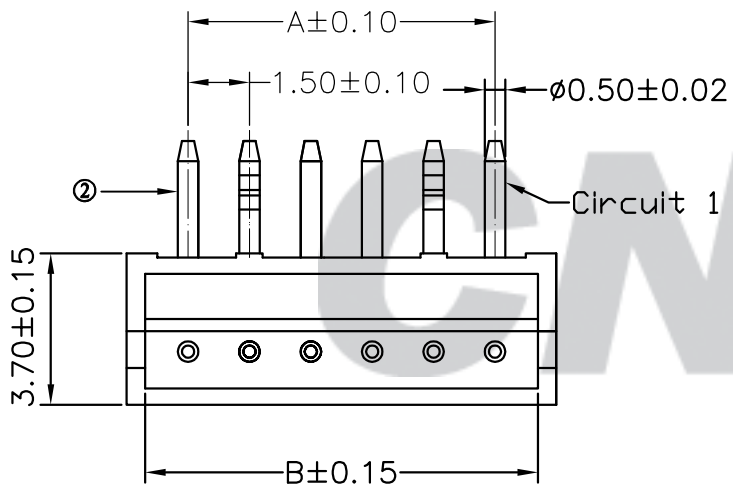
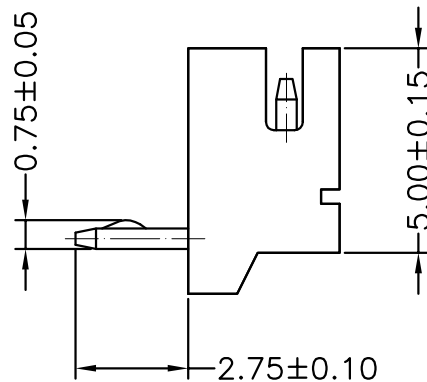
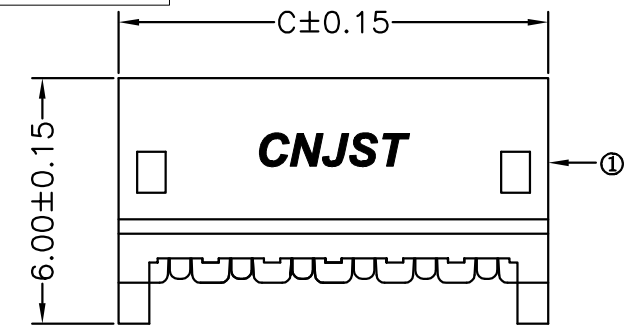


RoHS Compliant

成品图



2~5P (含5P) : 打K脚为第1枚和最后1枚
6P及6P以上打K脚为第2枚和倒数第2枚

SPECIFICATION

- 1 Contact resistance: $\leq 20m\Omega$
- 2 Insulation resistance: $\geq 500M\Omega$
- 3 Rated voltage: 50 V AC DC
- 4 Rated current: 1.0 A AC DC
- 5 Withstand Voltage: 500V AC/minute
- 6 Temperature Range: $-25^{\circ}C \sim +105^{\circ}C$

ORDER INFORMATION:

A1501AWD--A1MA-P**

PART No. _____

No. OF CIRCUITS: _____

02~16

PLASTIC MATERIAL: _____

A1M=PA66

PACKAGING: P=PE

PLATING: A=Tin-plated

Circuits	Dimensions (mm)		
	A	B	C
02	1.50	3.60	4.50
03	3.00	5.10	6.00
04	4.50	6.60	7.50
05	6.00	8.10	9.00
06	7.50	9.60	10.50
07	9.00	11.10	12.00
08	10.50	12.60	13.50
09	12.00	14.10	15.00
10	13.50	15.60	16.50
11	15.00	17.10	18.00
12	16.50	18.60	19.50
13	18.00	20.10	21.00
14	19.50	21.60	22.50
15	21.00	23.10	24.00
16	22.50	24.60	25.50

SUGGESTED PCB LAYOUT
(COMPONENT SIDE)

REV.	DATE	DESCRIPTION	APPD.	NO.	DESCRIPTION	QTY	MATERIAL	PLATING/COLOR
B/0	2016.05.04	NEW RELEASE		②	Contacts	2~16	Brass	Tin-plated
				①	Insulator	1	PA66 (UL94V-0)	Nature

Tolerance
X.X ±0.30
X.XX ±0.20
X.XXX ±0.10
Angle ±3.0°

Model Name: 1.50mm PITCH 90° WAFER
Model No: A1501AWD-**-A1MA-P

SCALE: FULL REVISION: B/0

UNIT: mm

CNJST 浙江捷仕泰电子有限公司
ZHEJIANG JIESHITAI ELECTRONIC CO., LTD

Drawn: 蔡忠忠 2016.05.04

Checked: 林旭芝

Approved: 刘祚杰

DWG NO. CNJST/GCCP-0042

REV.	DATE	DESCRIPTION	APPD.
B/0	2016.05.04	NEW RELEASE	