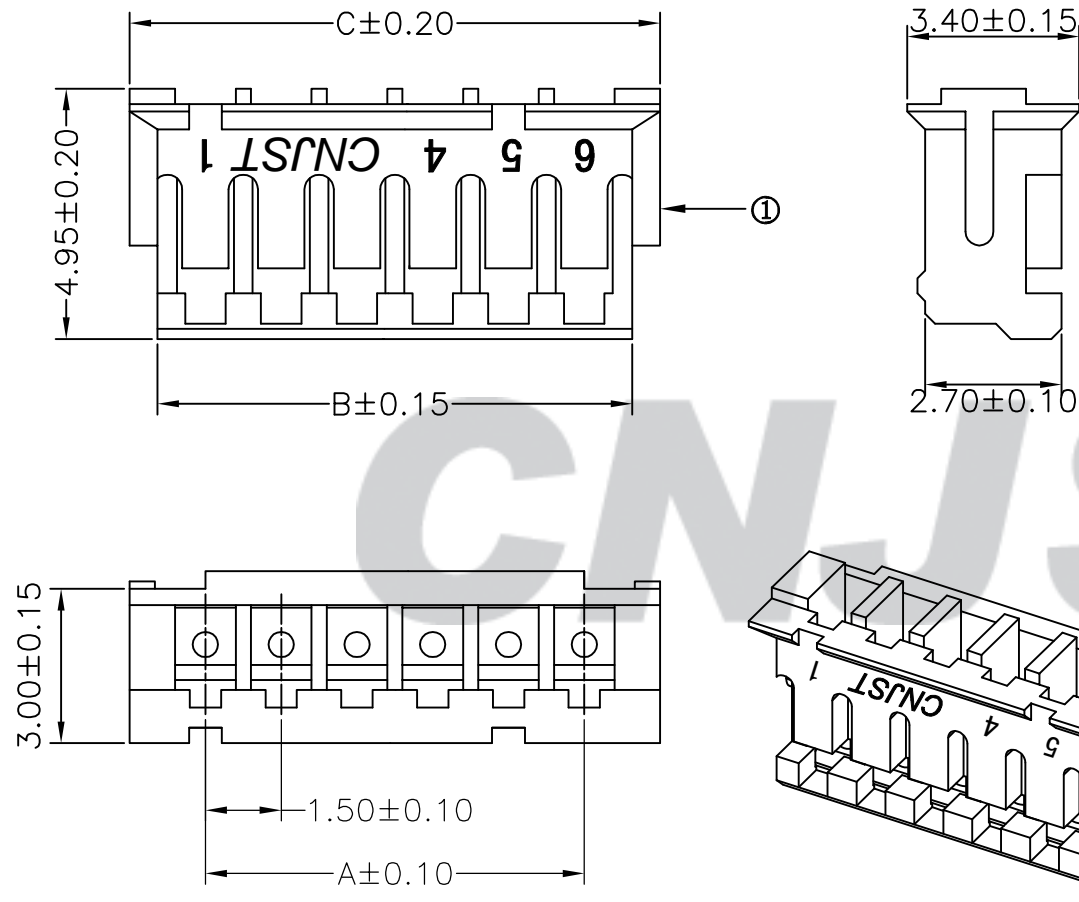


RoHS Compliant

成品图



SPECIFICATION

- 1 Contact resistance: $\leq 20m\Omega$
- 2 Insulation resistance: $\geq 500M\Omega$
- 3 Rated voltage: 50 V AC DC
- 4 Rated current: 1.0 A AC DC
- 5 Withstand Voltage: 500V AC/minute
- 6 Temperature Range: $-25^{\circ}C \sim +105^{\circ}C$

ORDER INFORMATION:

A1501Y-**-A6W-P	
PART No.	PACKAGING:
No. OF CIRCUITS:	P=PE
02~16	PLASTIC MATERIAL:
	A6W=PA66 (WHITE)

Circuits	Dimensions (mm)		
	A	B	C
02	1.50	3.40	4.50
03	3.00	4.90	6.00
04	4.50	6.40	7.50
05	6.00	7.90	9.00
06	7.50	9.40	10.50
07	9.00	10.90	12.00
08	10.50	12.40	13.50
09	12.00	13.90	15.00
10	13.50	15.40	16.50
11	15.00	16.90	18.00
12	16.50	18.40	19.50
13	18.00	19.90	21.00
14	19.50	21.40	22.50
15	21.00	22.90	24.00
16	22.50	24.40	25.50

Tolerance X.X ± 0.30 X.XX ± 0.20 X.XXX ± 0.10 Angle $\pm 3.0^{\circ}$	Model Name: 1.50mm PITCH HOUSING		Drawn: 蔡忠忠 2016.05.04
	Model No: A1501Y-**-A6W-P		
UNIT: mm		SCALE: FULL	REVISION: B/0
	CNJST 浙江捷仕泰电子有限公司 ZHEJIANG JIESHITAI ELECTRONIC CO., LTD		Checked: 林旭芝 Approved: 刘祚杰 DWG NO. CNJST/GCCP-0045

REV.	DATE	DESCRIPTION	APPD.	NO.	DESCRIPTION	QTY	MATERIAL	PLATING/COLOR
B/0	2016.05.04	NEW RELEASE		①	Insulator	1	PA66 (UL94V-0)	White