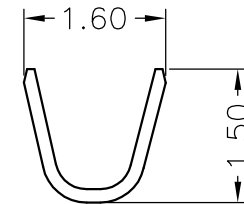
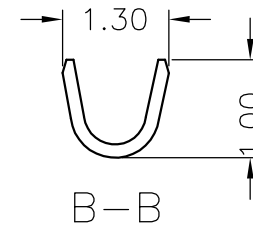
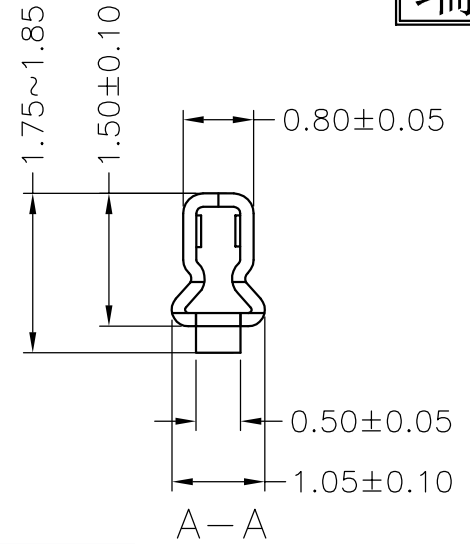
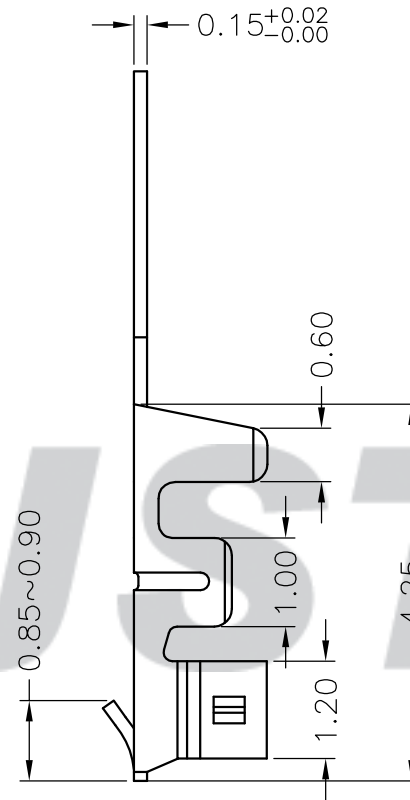
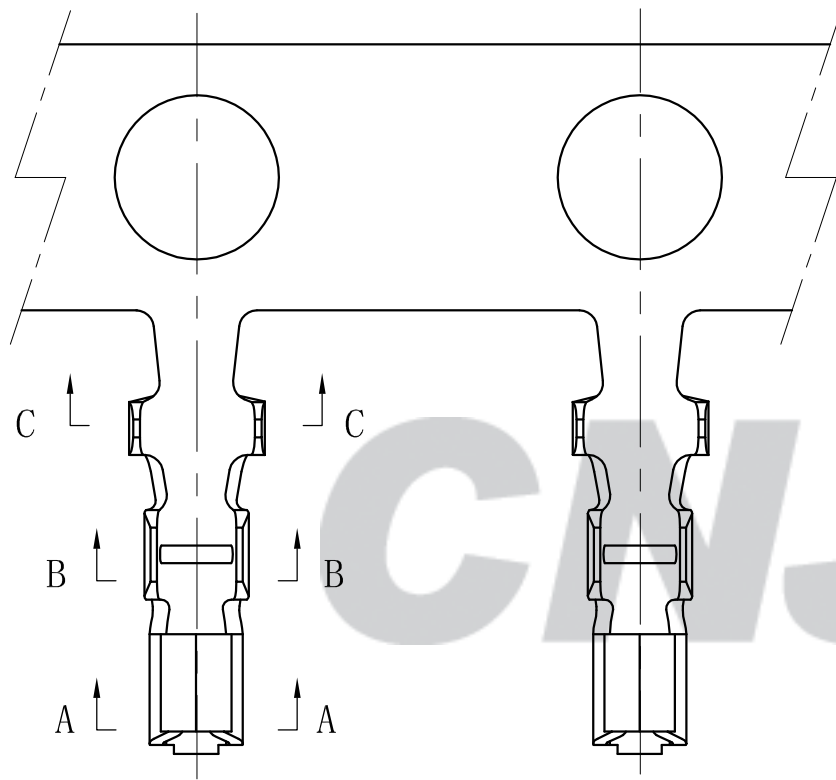
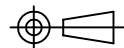


RoHS Compliant

端子图



Tolerance X.X ±0.30 X.XX ±0.20 X.XXX ±0.10 Angle ±3.0°	Model Name: 1.50mm PITCH CRIMP TERMINAL		Drawn: 张育斌2016.06.13
	Model No: A1501T-PA-Z		
UNIT: mm		SCALE: FULL	REVISION: B/1
		<b>CNJST</b> 浙江捷仕泰电子有限公司 ZHEJIANG JIESHITAI ELECTRONIC CO., LTD	
AWG #28~#32    0.90mm(max)    11,000Pcs    Phosphor Bronze    Tin-plated Wire Range    Insulation O.D.    QTY/Reel    Material    Plating		Checked: 林旭芝 Approved: 刘祚杰 DWG NO. CNJST/GCDZ-0005	

REV.	DATE	DESCRIPTION	APPD.	Wire Range	Insulation O.D.	QTY/Reel	Material	Plating
	2013.01.01	NEW RELEASE		AWG #28~#32	0.90mm(max)	11,000Pcs	Phosphor Bronze	Tin-plated