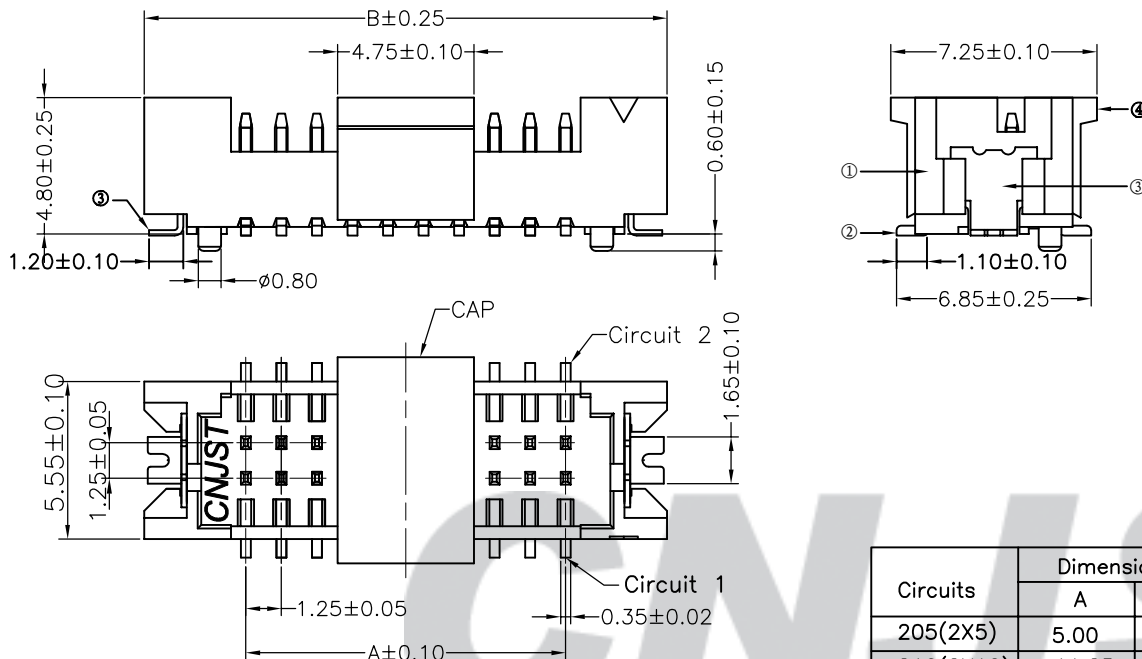


RoHS Compliant

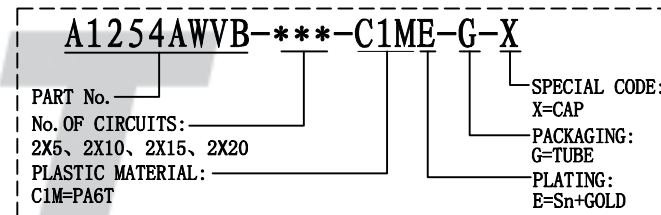
成品图



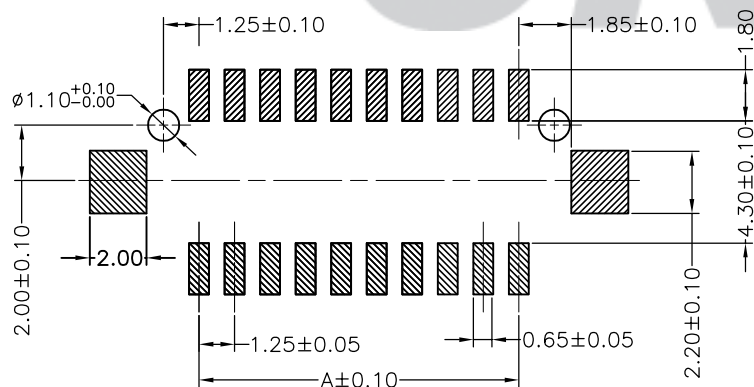
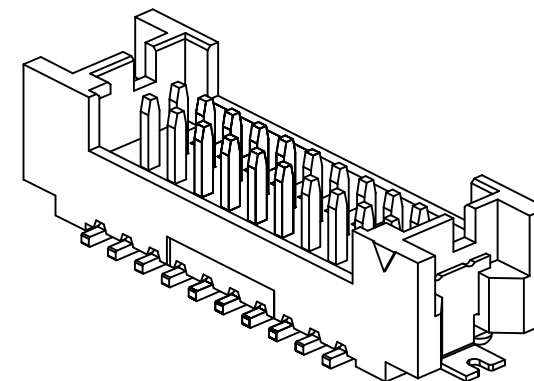
SPECIFICATION

- Contact resistance: $\leq 30m\Omega$
- Insulation resistance: $\geq 500M\Omega$
- Rated voltage: 150 V AC DC
- Rated current: 1.0 A AC DC
- Withstand Voltage: 500V AC/minute
- Temperature Range: $-25^{\circ}C \sim +85^{\circ}C$

ORDER INFORMATION:



Circuits	Dimensions (mm)	
	A	B
205(2X5)	5.00	12.15
210(2X10)	11.25	18.40
215(2X15)	17.50	24.65
220(2X20)	23.75	30.90



SUGGESTED PCB LAYOUT
(COMPONENT SIDE)

REV.	DATE	DESCRIPTION	APPD.
B/0	2016.05.04	NEW RELEASE	

NO.	DESCRIPTION	QTY	MATERIAL	PLATING/COLOR
④	Cap	1	PA6T(UL94V-0)	Nature
③	Solder Tab	2	Phosphor Bronze	Tin-plated
②	Contacts	10~40	Phosphor Bronze	Cold-plated
①	Insulator	1	PA6T(UL94V-0)	Nature

Tolerance	Model Name: 1.25mm PITCH 180° WAFER-SMT TYPE
X.X ± 0.30	Model No: A1254AWVB-***-C1ME-G-X
X.XX ± 0.20	
X.XXX ± 0.10	
Angle $\pm 3.0^{\circ}$	
UNIT: mm	

Drawn: 蔡忠忠 2016.05.04
Checked: 林旭芝
Approved: 刘祚杰
DWG NO. CNJST/GCCP-0034

SCALE: FULL REVISION: B/0
CNJST 浙江捷仕泰电子有限公司
 ZHEJIANG JIESHITAI ELECTRONIC CO., LTD