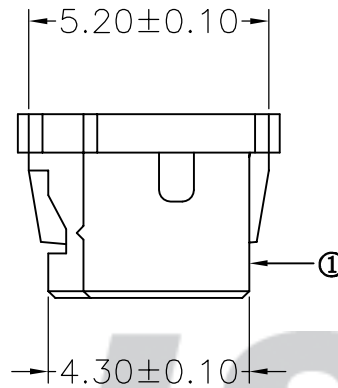
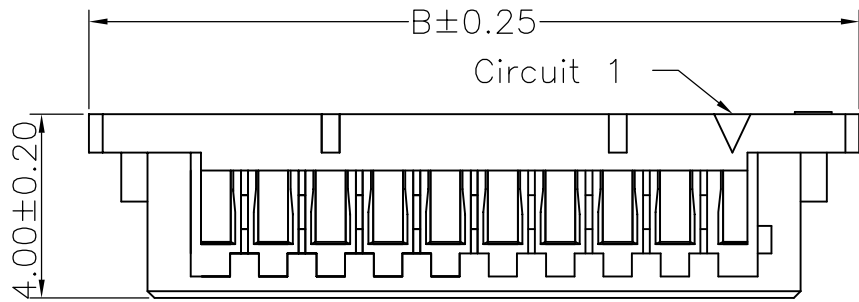


RoHS Compliant

成品图



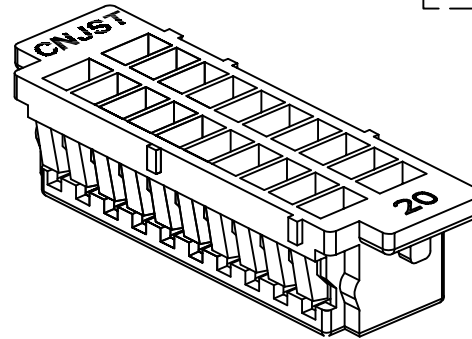
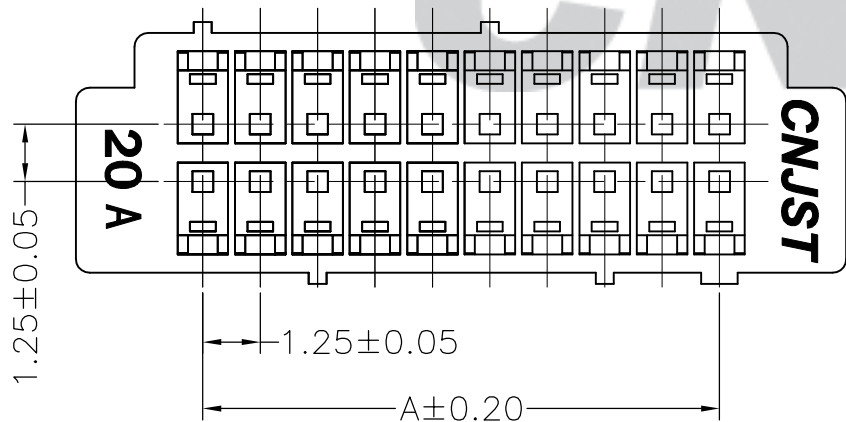
SPECIFICATION

- 1 Contact resistance: $\leq 30m\Omega$
- 2 Insulation resistance: $\geq 500M\Omega$
- 3 Rated voltage: 150 V AC DC
- 4 Rated current: 1.0 A AC DC
- 5 Withstand Voltage: 500V AC/minute
- 6 Temperature Range: $-25^{\circ}C \sim +85^{\circ}C$

ORDER INFORMATION:

A1254Y-*-A9M-P**

PART No. _____	PACKAGING: P=PE
No. OF CIRCUITS: _____	PLASTIC MATERIAL: A9M=PA66
2X5, 2X10, 2X15, 2X20	



Circuits	Dimensions (mm)	
	A	B
205 (2X5)	5.00	10.40
210 (2X10)	11.25	16.65
215 (2X15)	17.50	22.90
220 (2X20)	23.75	29.15

Tolerance X.X ±0.30 X.XX ±0.20 X.XXX ±0.10 Angle ±3.0°	Model Name: 1.25mm PITCH HOUSING Model No: A1254Y-***-A9M-P	Drawn: 蔡忠忠 2016.05.04
		Checked: 林旭芝
	SCALE: FULL REVISION: B/0	Approved: 刘祚杰
UNIT: mm	CNJST 浙江捷仕泰电子有限公司 ZHEJIANG JIESHITAI ELECTRONIC CO., LTD	DWG NO. CNJST/GCCP-0035

REV.	DATE	DESCRIPTION	APPD.	NO.	DESCRIPTION	QTY	MATERIAL	PLATING/COLOR
B/0	2016.05.04	NEW RELEASE		①	Insulator	1	PA66 (UL94V-0)	Nature