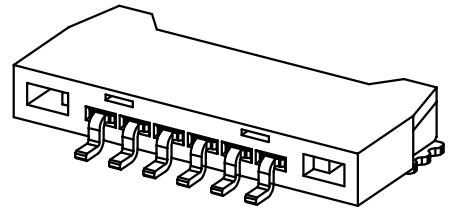
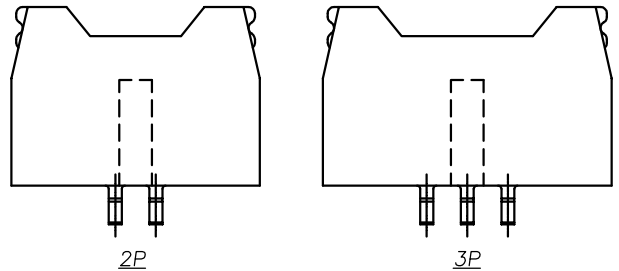


RoHS Compliant

成品图



SPECIFICATION

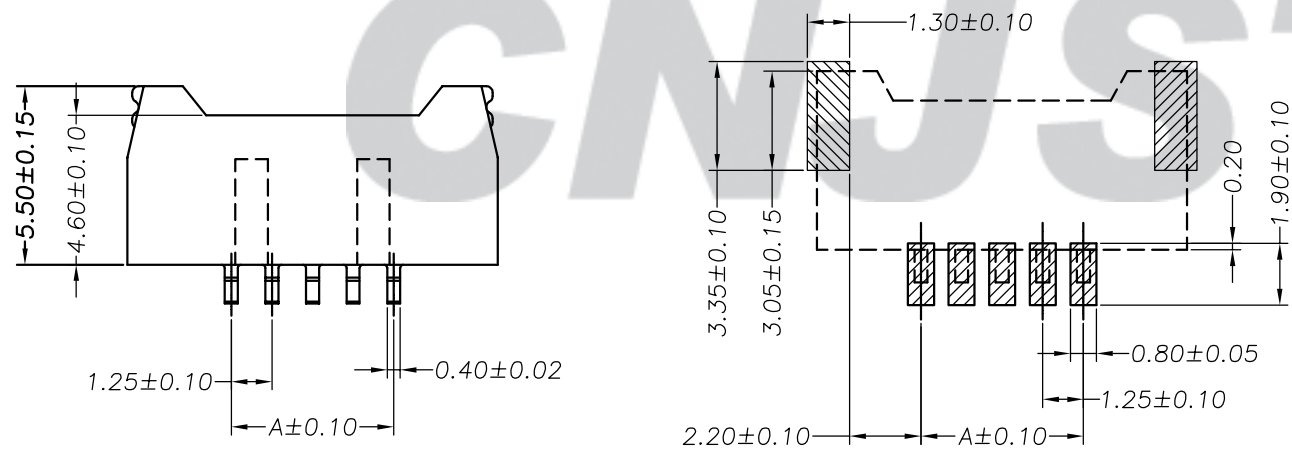
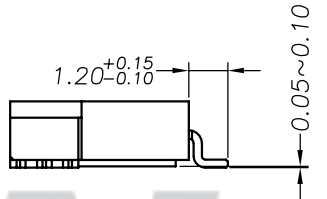
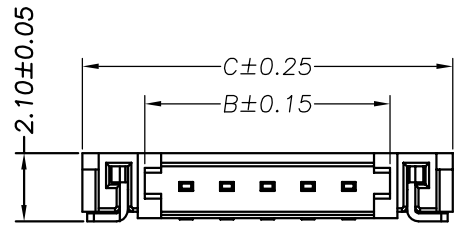
- 1 Contact resistance:  $\leq 20m\Omega$
- 2 Insulation resistance:  $\geq 100M\Omega$
- 3 Rated voltage: 200 V AC DC
- 4 Rated current: 1.0 A AC DC
- 5 Withstand Voltage: 500V AC/minute
- 6 Temperature Range:  $-25^{\circ}C \sim +85^{\circ}C$

ORDER INFORMATION:

**A1253AWR-\*\*-C1MB-R**

PART No. \_\_\_\_\_  
 No. OF CIRCUITS: \_\_\_\_\_  
 02~30 \_\_\_\_\_  
 PLASTIC MATERIAL: \_\_\_\_\_  
 (C1M=FR52 (Nature)) \_\_\_\_\_

PACKAGING:  
 G=TUBE  
 R=Reel  
 PLATING:  
 A=Tin-plated  
 B=Matte Sn



Ordering Information & Dimensions

Circuits	Dimensions		
	A	B	C
02	1.25	3.80	7.65
03	2.50	5.05	8.90
04	3.75	6.30	10.00
05	5.00	7.55	11.40
06	6.25	8.80	12.65
07	7.50	10.05	13.90
08	8.75	11.30	15.15
09	10.00	12.55	16.40
10	11.25	13.80	17.65
15	17.50	20.05	23.90
20	23.75	26.30	30.15
25	30.00	32.55	36.40
30	36.25	38.80	42.65

Unit: mm

专利产品

PCB LAYOUT

B/0	2016.04.12	NEW RELEASE	
REV.	DATE	DESCRIPTION	APPD.
1			

③	Solder Tab	2	Phosphor Bronze	Matte Sn
②	Contacts	2~30	Phosphor Bronze	Matte Sn
①	Insulator	1	FR52(UL94V-0)	Nature(Beige)
NO.	DESCRIPTION	QTY	MATERIAL	PLATING/COLOR

Tolerance  
 X.X  $\pm 0.30$   
 X.XX  $\pm 0.20$   
 X.XXX  $\pm 0.10$   
 Angle  $\pm 3.0^{\circ}$

Model Name: 1.25mm PITCH 90° WAFER-SMT TYPE  
 Model No: A1253AWR-\*\*-C1MB-R

SCALE: FULL REVISION: B/0

UNIT: mm

**CNJST** 浙江捷仕泰电子有限公司  
 ZHEJIANG JIESHITAI ELECTRONIC CO., LTD

Drawn: 蔡忠忠 2016.04.12  
 Checked: 林旭芝  
 Approved: 刘祚杰  
 DWG NO. CNJST/GCCP-0277