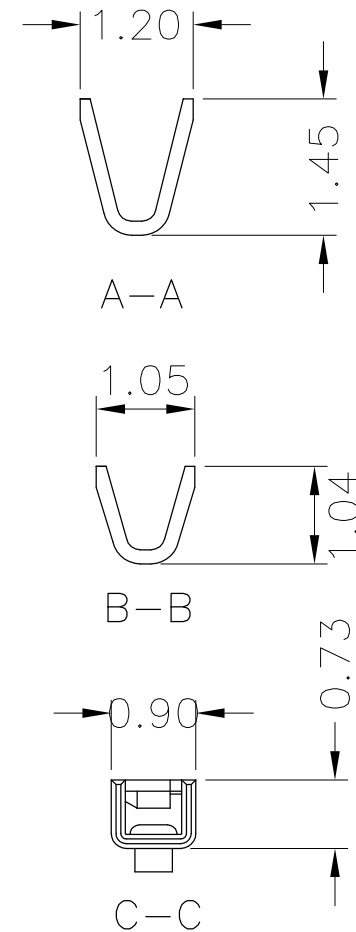
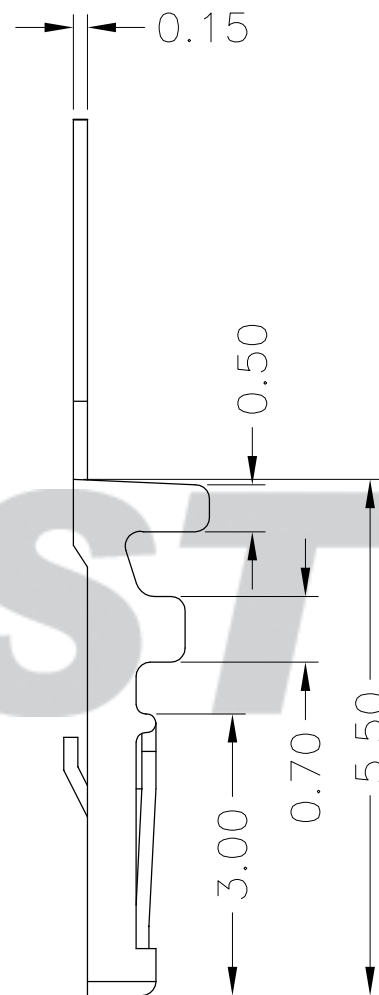
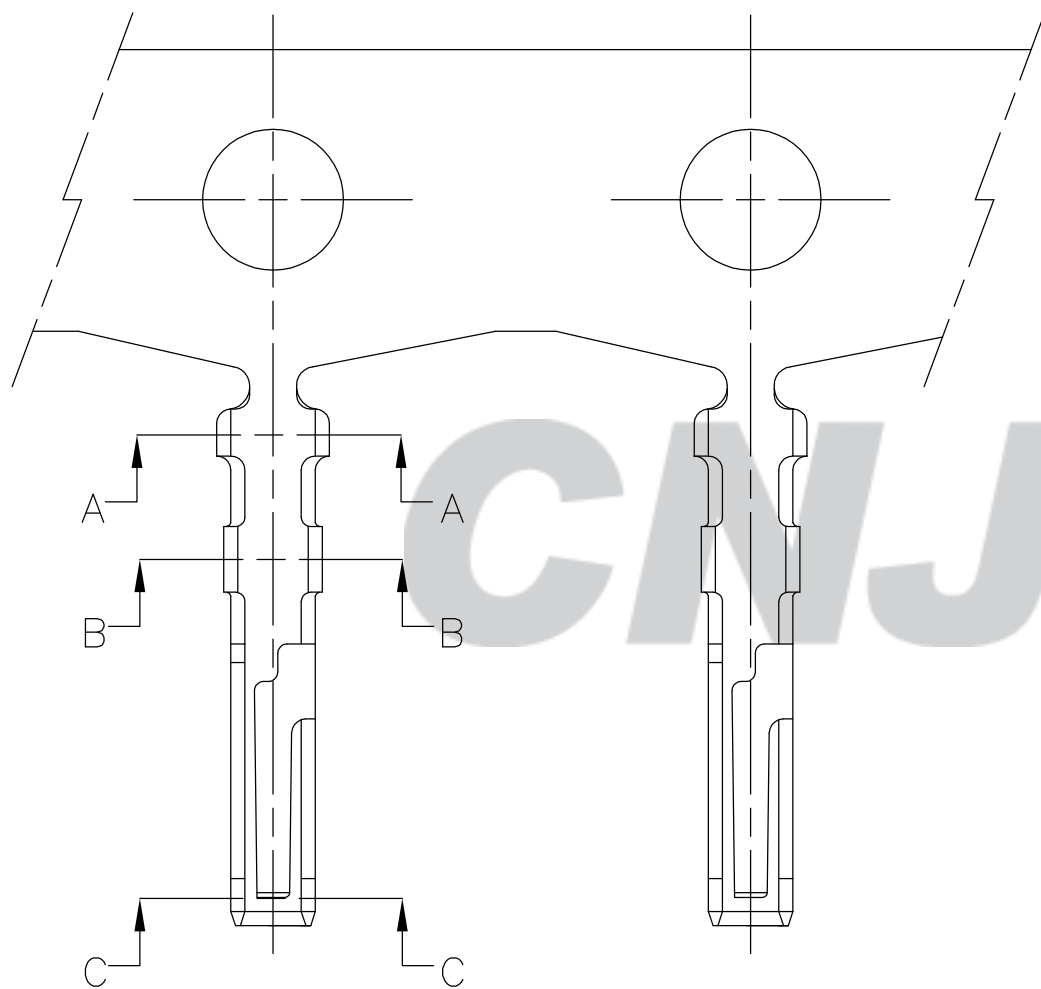


RoHS Compliant

端子图



Tolerance X.X ±0.30 X.XX ±0.20 X.XXX ±0.10 Angle ±3.0°	Model Name: 1.25mm PITCH CRIMP TERMINAL		Drawn: 张育斌2016.06.13
	Model No: A1253T-PA-Z		
UNIT: mm		SCALE: FULL	REVISION: B/1
		CNJST 浙江捷仕泰电子有限公司 ZHEJIANG JIESHITAI ELECTRONIC CO., LTD	
			Checked: 林旭芝
			Approved: 刘祚杰
			DWG NO. CNJST/GCDZ-0032

REV.	DATE	DESCRIPTION	APPD.	Wire Range	Insulation O.D.	QTY/Reel	Material	Plating
	2013.01.01	NEW RELEASE		AWG #28~#32	0.90mm(max)	10,000Pcs	Phosphor Bronze	Gold-plated