

RoHS Compliant

成品图

SPECIFICATION

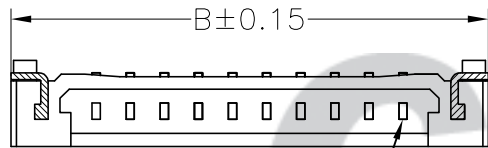
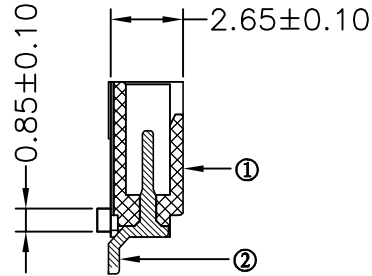
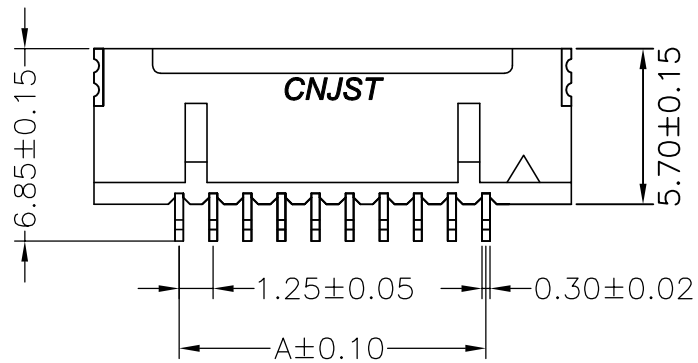
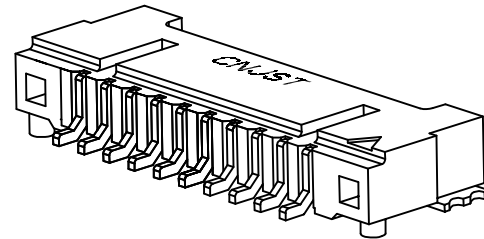
- 1 Contact resistance:  $\leq 30m\Omega$
- 2 Insulation resistance:  $\geq 500M\Omega$
- 3 Rated voltage: 150 V AC DC
- 4 Rated current: 1.0 A AC DC
- 5 Withstand Voltage: 500V AC/minute
- 6 Temperature Range:  $-25^{\circ}C \sim +85^{\circ}C$

ORDER INFORMATION:

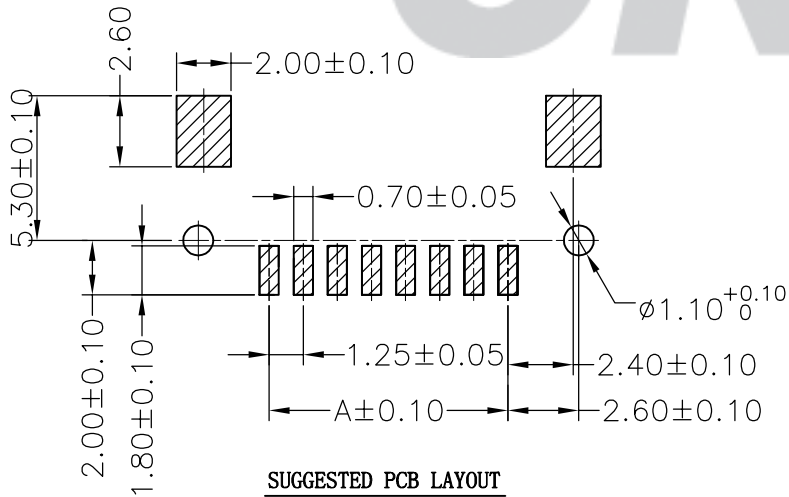
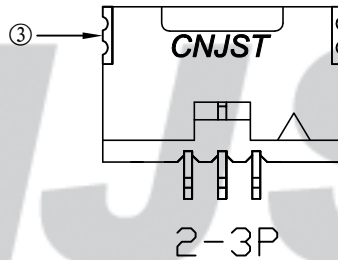
**A1252AWRB-\*\*-C1MA-\***

PART No.		PACKAGING: G=TUBE R=REEL
No. OF CIRCUITS: 102~30		PLATING: A=Tin-plated E=Sn+GOLD
PLASTIC MATERIAL: C1M=PA6T (BEIGE) C3K=PA6T (BLACK)		

Circuits	Dimensions (mm)		Circuits	Dimensions (mm)	
	A	B		A	B
02	1.25	7.50	09	10.00	16.25
03	2.50	8.75	10	11.25	17.50
04	3.75	10.00	15	17.50	23.75
05	5.00	11.25	20	23.75	30.00
06	6.25	12.50	25	30.00	36.25
07	7.50	13.75	30	36.25	42.50
08	8.75	15.00			



Circuit 1



SUGGESTED PCB LAYOUT  
(COMPONENT SIDE)

Tolerance X.X ±0.30 X.XX ±0.20 X.XXX ±0.10 Angle ±3.0°	Model Name: 1.25mm PITCH 90° WAFER-SMT TYPE	SCALE: FULL	REVISION: B/0	Drawn: 蔡忠忠 2016.05.04
	Model No: A1252AWRB-**-C1MA-*			Checked: 林旭芝
UNIT: mm	CNJST 浙江捷仕泰电子有限公司 ZHEJIANG JIESHITAI ELECTRONIC CO., LTD			Approved: 刘祚杰
				DWG NO. CNJST/GCCP-0029

REV.	DATE	DESCRIPTION	APPD.	NO.	DESCRIPTION	QTY	MATERIAL	PLATING/COLOR
B/0	2016.05.04	NEW RELEASE		③	Solder Tab	2	Phosphor Bronze	Tin-plated
				②	Contacts	2~30	Phosphor Bronze	Tin-plated
				①	Insulator	1	PA6T (UL94V-0)	Nature