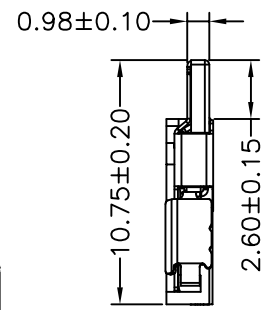
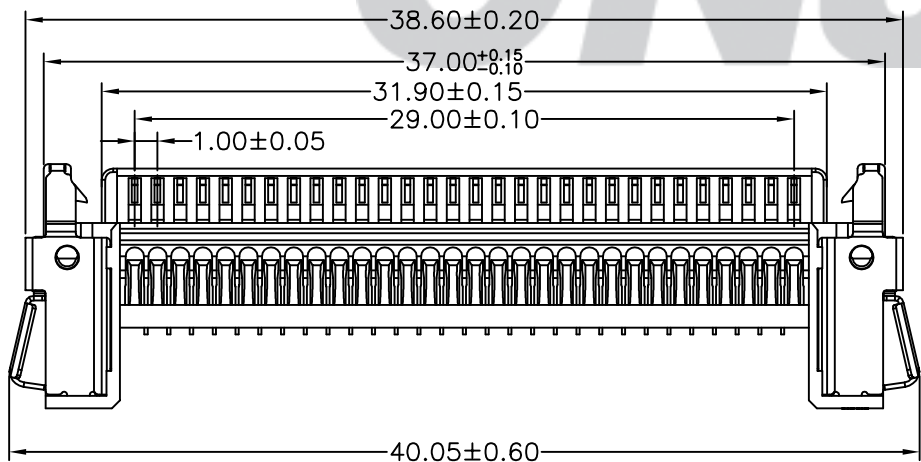
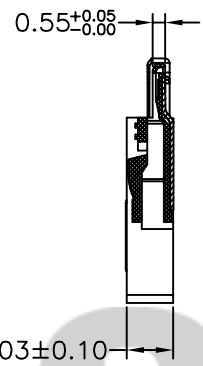
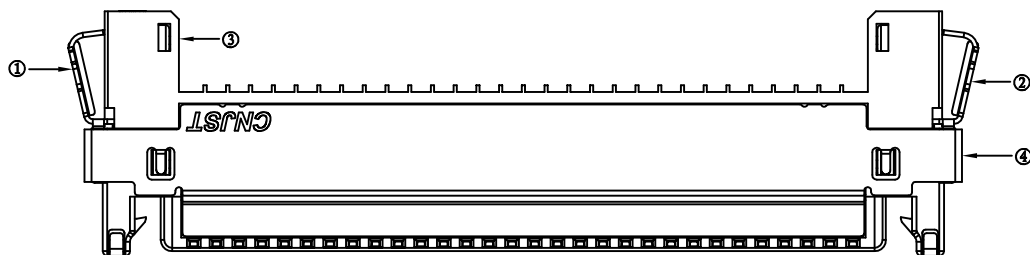


RoHS Compliant

成品图



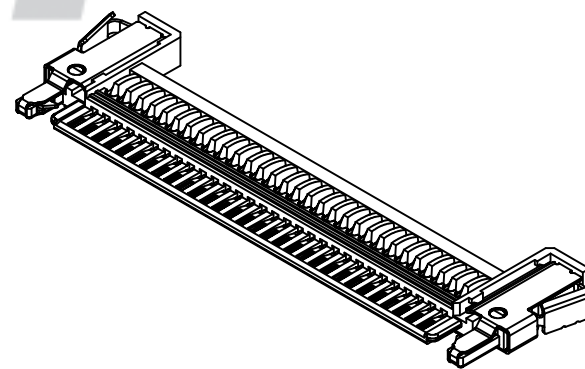
SPECIFICATION

- 1 Contact resistance: $\leq 20m\Omega$
- 2 Insulation resistance: $\geq 500M\Omega$
- 3 Rated voltage: 50 V AC DC
- 4 Rated current: 1.0 A AC DC
- 5 Withstand Voltage: 500V AC/minute
- 6 Temperature Range: $-25^{\circ}C \sim +85^{\circ}C$

ORDER INFORMATION:

A1002Y-30-B1M0-B

PART No.	PACKAGING:
No. OF CIRCUITS:	P=PE
30	B=TRAY
PLASTIC MATERIAL:	PLATING:
B1M=PA46	0=No Plating



B/0	2016.05.18	NEW RELEASE	
REV.	DATE	DESCRIPTION	APPD.
1	2	3	4

④	Shell	1	Stainless	
③	Lock lever	1	Stainless	
②	Lock lever	1	Stainless	
①	Insulator	1	Nylon 46 (UL94V-0)	Natural (Beige)
NO.	DESCRIPTION	QTY	MATERIAL	PLATING/COLOR

Tolerance	Model Name: 1.00mm PITCH HOUSING	Drawn: 蔡忠忠 2016. 05. 18
X.X ±0.30	Model No: A1002Y-30-B1M0-B	
X.XX ±0.20	SCALE: FULL	Checked: 林旭芝
X.XXX ±0.10		REVISION: B/0
Angle ±3.0°	CNJST 浙江捷仕泰电子有限公司 ZHEJIANG JIESHITAI ELECTRONIC CO., LTD	Approved: 刘祚杰
UNIT: mm		DWG NO. CNJST/GCCP-0164