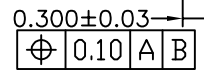
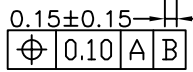
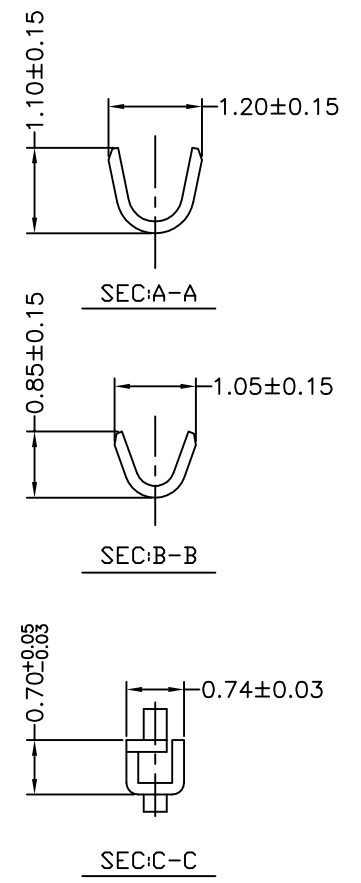
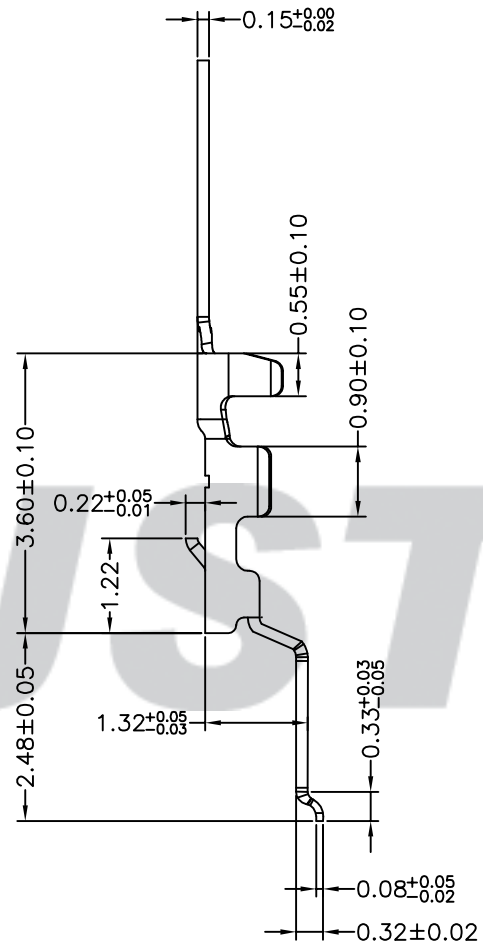
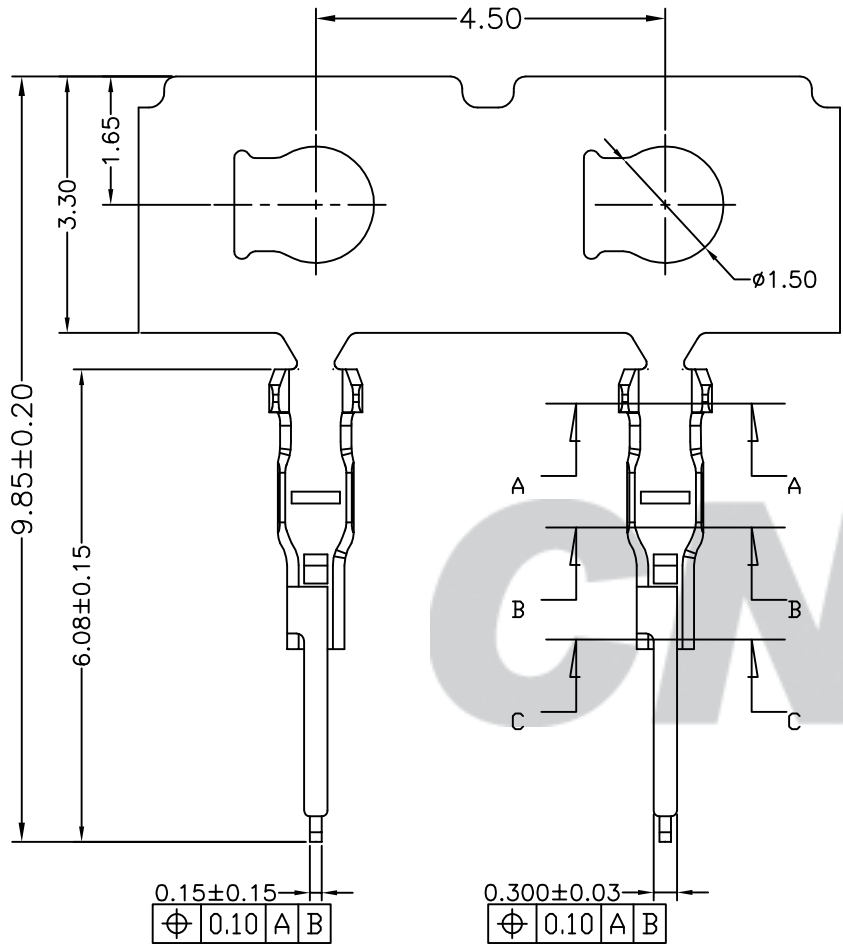
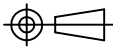


RoHS Compliant

端子图



Tolerance X.X ±0.30 X.XX ±0.20 X.XXX ±0.10 Angle ±3.0°	Model Name: 0.50mm PITCH CRIMP TERMINAL		Drawn: 张育斌 2016.06.13
	Model No: A0501GT-PC-Z(高脚)		
 SCALE: FULL REVISION: B/1	CNJST 浙江捷仕泰电子有限公司 ZHEJIANG JIESHITAI ELECTRONIC CO., LTD		Checked: 林旭芝
	UNIT: mm		
			DWG NO. CNJST/GCDZ-0065

REV.	DATE	DESCRIPTION	APPD.	Part No	Wire Range	Insulation O.D.	QTY/Reel	Material	Plating
	2016.06.13	NEW RELEASE		A0501GT-PC-Z	AWG #28~#32	0.50mm(max)	15,000Pcs	Phosphor Bronze	Gold-flash 1μ" over Nickel-plated 90°/50μ"
				A0501GT-PC-Z	AWG #28~#32	0.50mm(max)	15,000Pcs	Phosphor Bronze	Gold-flash 3μ" over Nickel-plated 90°/50μ"