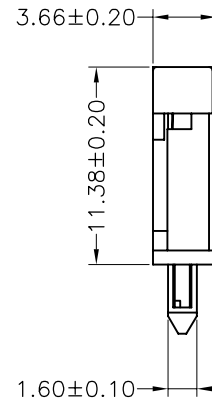
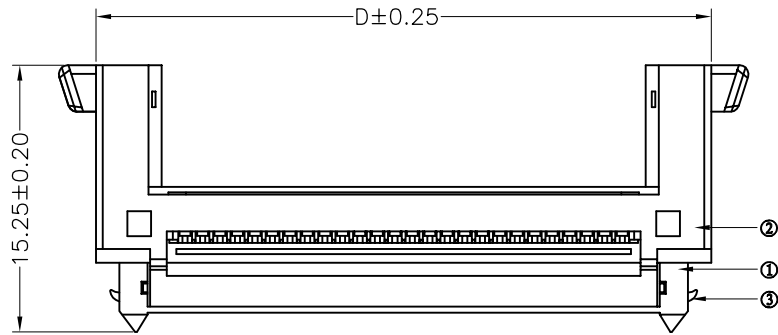


RoHS Compliant

成品图



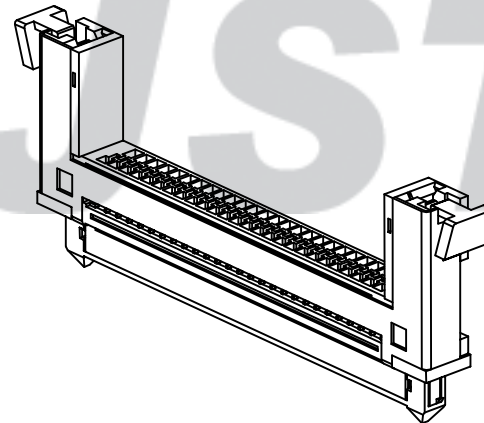
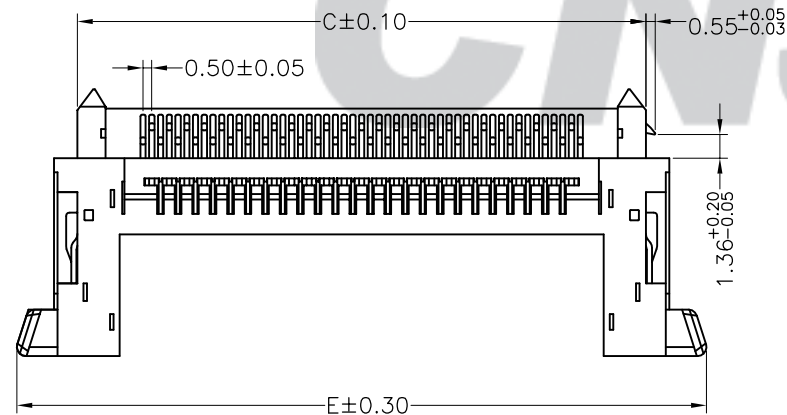
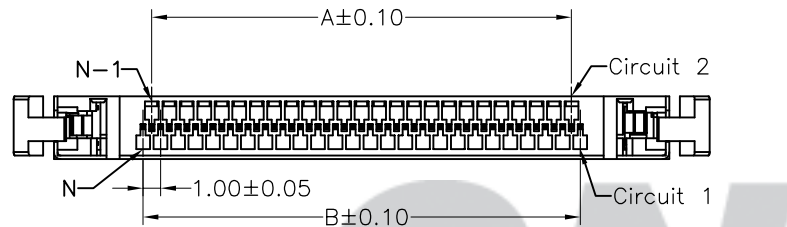
SPECIFICATION

- 1 Contact resistance: $\leq 40m\Omega$
- 2 Insulation resistance: $\geq 100M\Omega$
- 3 Rated voltage: 200 V AC DC
- 4 Rated current: 0.8 A AC DC
- 5 Withstand Voltage: 500V AC/minute
- 6 Temperature Range: $-25^{\circ}C \sim +85^{\circ}C$

ORDER INFORMATION:

A0501Y--B3K0-C**

PART No.		PACKAGING:
No. OF CIRCUITS:		C=TRAY
31, 41, 51		PLATING:
PLASTIC MATERIAL:		O=No Plating
B3K=PA46 (BLACK)		



Circuits	Dimensions (mm)				
	A	B	C	D	E
31	14.00	15.00	22.60	26.40	31.00
41	19.00	20.00	27.60	31.40	36.00
51	24.00	25.00	32.60	36.40	41.00

B/0	2016.05.03	NEW RELEASE	
REV.	DATE	DESCRIPTION	APPD.

③	Hook	2	Stainless	
②	Shell	1	Stainless	
①	Insulator	1	PA46 (UL94V-0)	Black
NO.	DESCRIPTION	QTY	MATERIAL	PLATING/COLOR

Tolerance
 X.X ±0.30
 X.XX ±0.20
 X.XXX ±0.10
 Angle ±3.0°

Model Name: 0.50 mm PITCH Housing
 Model No: A0501Y-**-B3K0-P

UNIT: mm

CNJST 浙江捷仕泰电子有限公司
 ZHEJIANG JIESHITAI ELECTRONIC CO., LTD

Drawn: 蔡忠忠 2016.05.03
 Checked: 林旭芝
 Approved: 刘祚杰
 DWG NO. CNJST/GCCP-0327