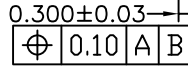
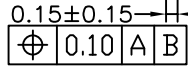
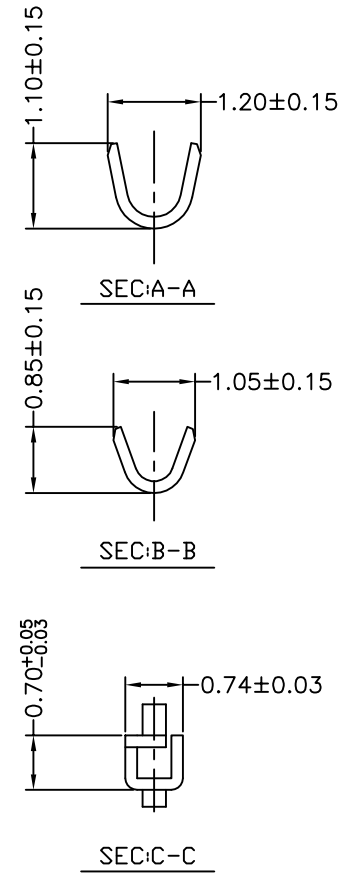
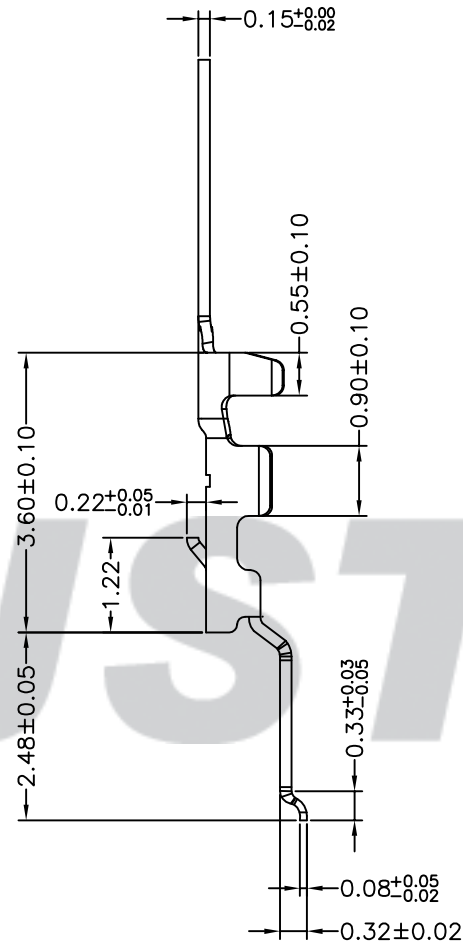
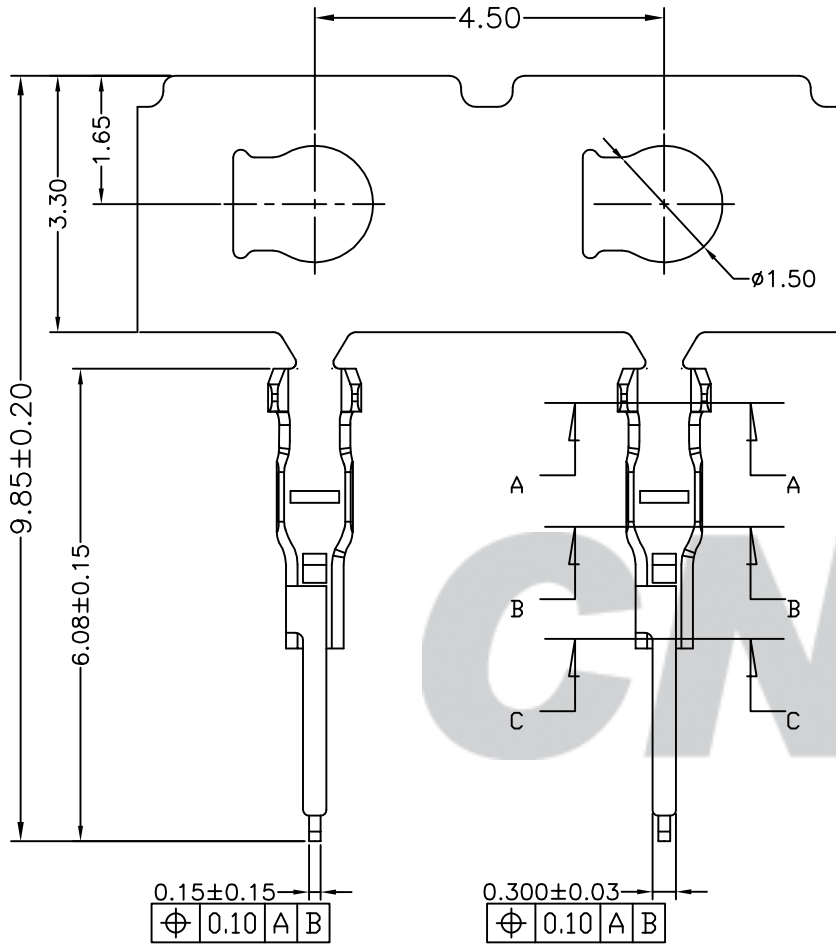


RoHS Compliant

端子图



Tolerance X.X ±0.30 X.XX ±0.20 X.XXX ±0.10 Angle ±3.0°	Model Name: 0.50mm PITCH CRIMP TERMINAL		Drawn: 张育斌 2016.06.13
	Model No: A0501T-PC-Z(低脚)		
		SCALE: FULL	REVISION: B/1
UNIT: mm	CNJST 浙江捷仕泰电子有限公司 ZHEJIANG JIESHITAI ELECTRONIC CO., LTD		Approved: 刘祚杰
			DWG NO. CNJST/GCDZ-0064

REV.	DATE	DESCRIPTION	APPD.	Part No	Wire Range	Insulation O.D.	QTY/Reel	Material	Plating
				A0501T-PC-Z	AWG #28~#32	0.50mm(max)	15,000Pcs	Phosphor Bronze	Gold-flash 1u" over Nickel-plated 30"50u"
	2016.06.13	NEW RELEASE		A0501T-PC-Z-A	AWG #28~#32	0.50mm(max)	15,000Pcs	Phosphor Bronze	Gold-flash 3u" over Nickel-plated 30"50u"