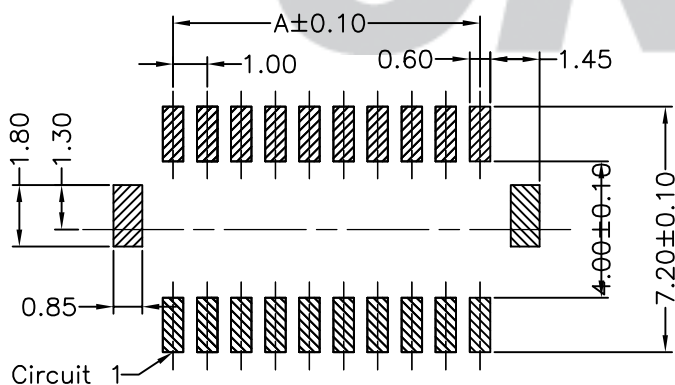
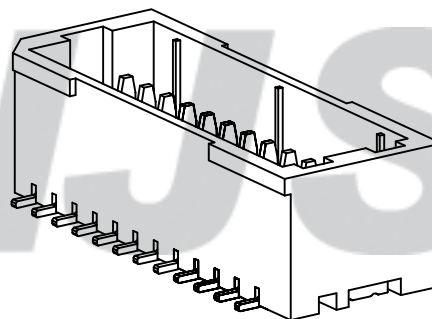
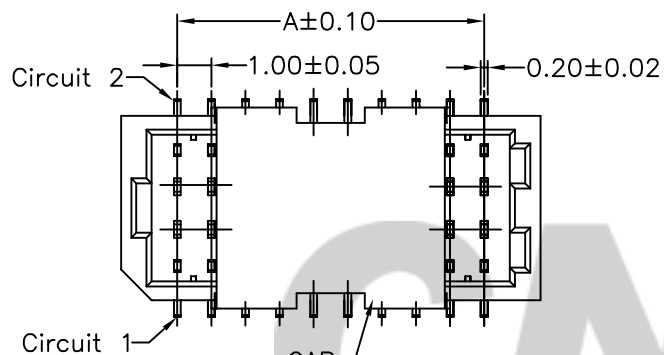
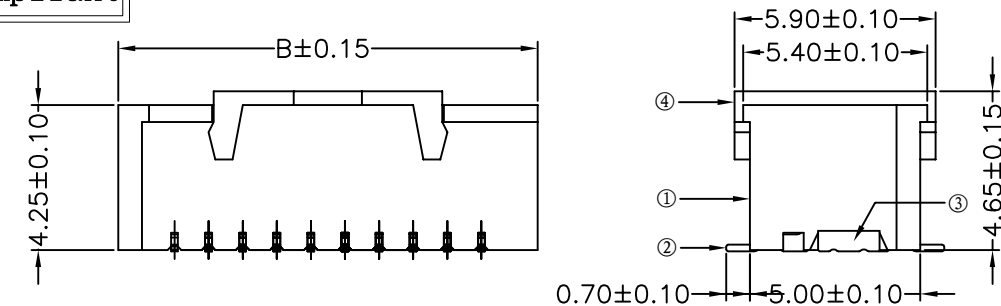


RoHS Compliant

成品图



SUGGESTED PCB LAYOUT
(COMPONENT SIDE)

SPECIFICATION

- 1 Contact resistance: $\leq 20m\Omega$
- 2 Insulation resistance: $\geq 100M\Omega$
- 3 Rated voltage: 50 V AC DC
- 4 Rated current: 1.0 A AC DC
- 5 Withstand Voltage: 500V AC/minute
- 6 Temperature Range: $-25^{\circ}C \sim +85^{\circ}C$

ORDER INFORMATION:

A1001AWV-*-C1MC-R-X**

PART No.	SPECIAL CODE:
No. OF CIRCUITS:	X=CAP
2X6~2X25	PACKAGING:
PLASTIC MATERIAL:	R=REEL
C1M=PA6T	PLATING:
	C=Gold-plated

Circuits	Dimensions (mm)	
	A	B
2X6	5.00	8.30
2X8	7.00	10.30
2X10	9.00	12.30
2X15	14.00	27.30
2X20	19.00	22.30
2X25	24.00	27.30

B/0	2016.05.18	NEW RELEASE	
REV.	DATE	DESCRIPTION	APPD.

④	Cap	1	PA6T (UL94V-0)	Beige
③	Solder Tab	2	Phosphor Bronze	Tin-plated
②	Contacts	12~50	Phosphor Bronze	Gold-plated
①	Insulator	1	PA6T (UL94V-0)	Nature
NO.	DESCRIPTION	QTY	MATERIAL	PLATING/COLOR

Tolerance X.X ±0.30 X.XX ±0.20 X.XXX ±0.10 Angle ±3.0°	Model Name: 1.00mm PITCH 180° WAFER-SMT TYPE		Drawn: 蔡忠忠 2016.05.18
	Model No: A1001AWV-***-C1MC-R-X		
UNIT: mm	SCALE: FULL	REVISION: B/0	Checked: 林旭芝
			Approved: 刘祚杰
CNJST 浙江捷仕泰电子有限公司 ZHEJIANG JIESHITAI ELECTRONIC CO., LTD			DWG NO. CNJST/GCCP-0148