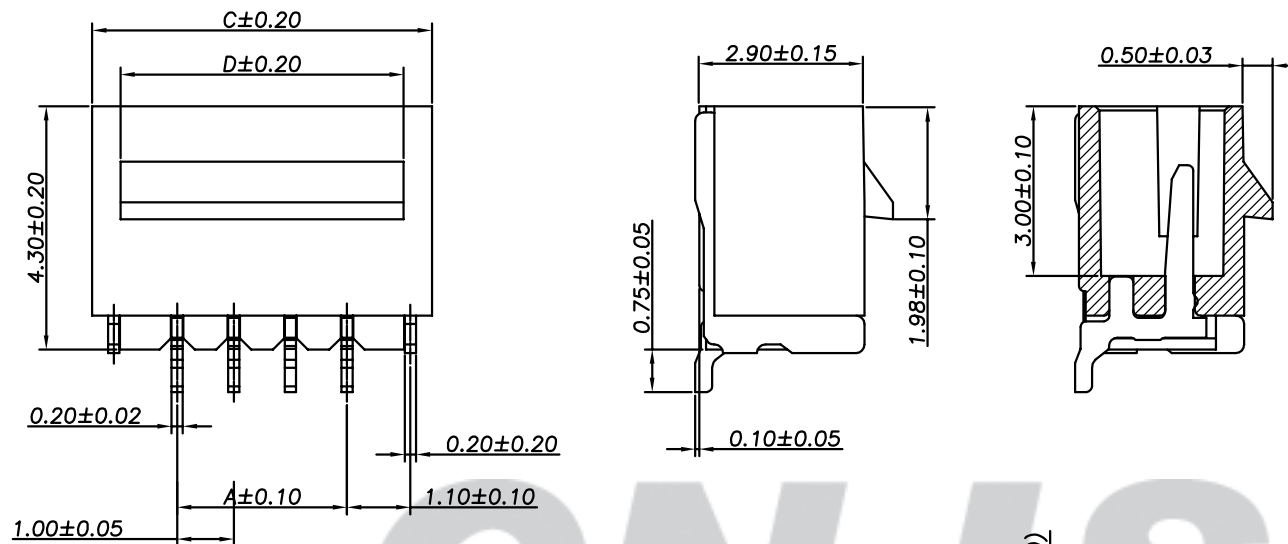


RoHS Compliant

成品图



**SPECIFICATION**

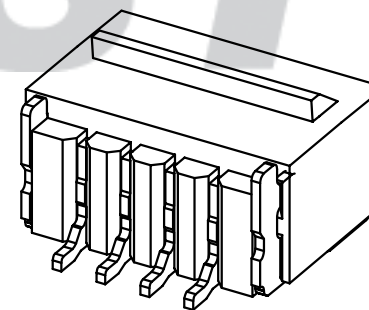
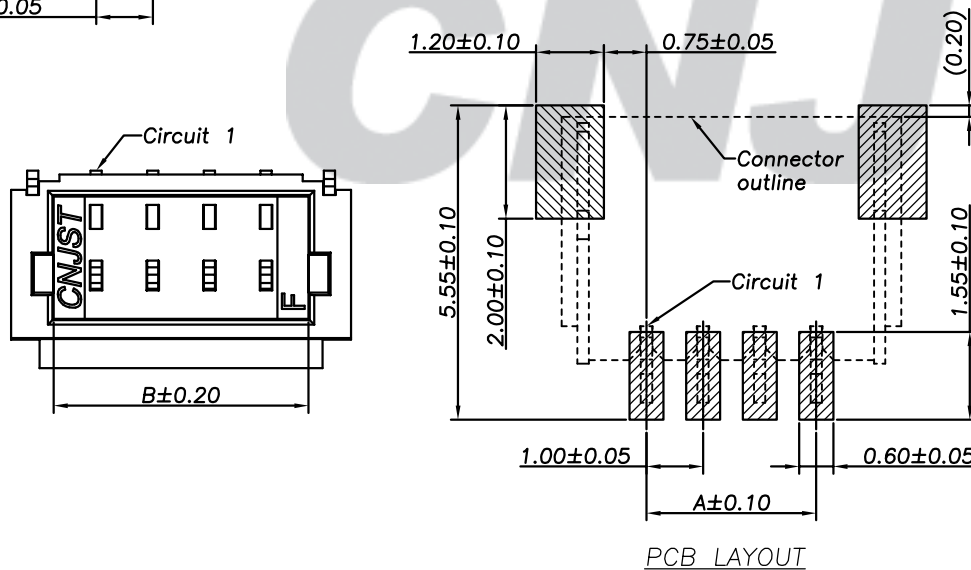
- Contact resistance:  $\leq 20m\Omega$
- Insulation resistance:  $\geq 100M\Omega$
- Rated voltage: 50 V AC DC
- Rated current: 1.0 A AC DC
- Withstand Voltage: 500V AC/minute
- Temperature Range:  $-25^{\circ}C \sim +85^{\circ}C$

ORDER INFORMATION:

**A1001AWRR-\*\*-F2MA-R**

PART No: \_\_\_\_\_  
 No. OF CIRCUITS: \_\_\_\_\_  
 02~20  
 PLASTIC MATERIAL: \_\_\_\_\_  
 F2M=LCP(Nature)

PACKAGING:  
 R=Reel  
 PLATING:  
 A=Tin-plated



Circuits	Dimensions			
	A	B	C	D
02	1.00	2.50	4.00	3.00
03	2.00	3.50	5.00	4.00
04	3.00	4.50	6.00	5.00
05	4.00	5.50	7.00	6.00
06	5.00	6.50	8.00	
07	6.00	7.50	9.00	
08	7.00	8.50	10.00	
09	8.00	9.50	11.00	8.00
10	9.00	10.50	12.00	
11	10.00	11.50	13.00	
12	11.00	12.50	14.00	
13	12.00	13.50	15.00	
14	13.00	14.50	16.00	
15	14.00	15.50	17.00	
16	15.00	16.50	18.00	
17	16.00	17.50	19.00	
18	17.00	18.50	20.00	
19	18.00	19.50	21.00	
20	19.00	20.50	22.00	

Unit: mm

专利产品

REV.	DATE	DESCRIPTION	APPD.
B/0	2016.04.12	NEW RELEASE	

NO.	DESCRIPTION	QTY	MATERIAL	PLATING/COLOR
③	Solder Tabs	2	Phosphor Bronze	Tin-plated
②	Contacts	2~20	Phosphor Bronze	Tin-plated
①	Insulator	1	LCP(UL94V-0)	Nature

Tolerance	Model Name: 1.00mm pitch 90° WAFER-SMT TYPE	SCALE: FULL	REVISION: B/0
X.X ±0.30 X.XX ±0.20 X.XXX ±0.10 Angle ±3.0°	Model No: A1001AWRR-**-F2MA-R		
UNIT: mm			
<b>CNJST</b> 浙江捷仕泰电子有限公司 ZHEJIANG JIESHITAI ELECTRONIC CO., LTD			

Drawn: 张育斌 2016.04.12
Checked: 林旭芝
Approved: 刘祚杰
DWG NO. CNJST/GCCP-0283