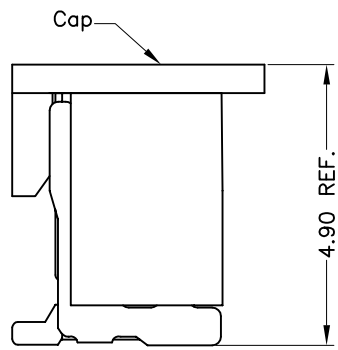
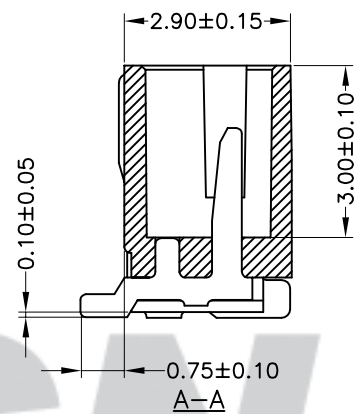
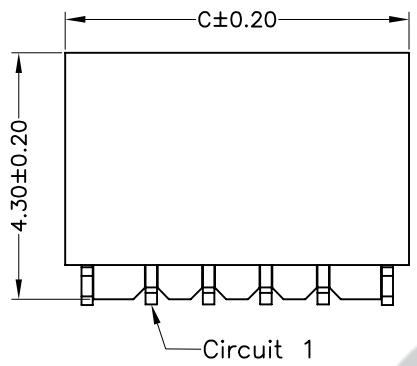


RoHS Compliant

成品图



SPECIFICATION

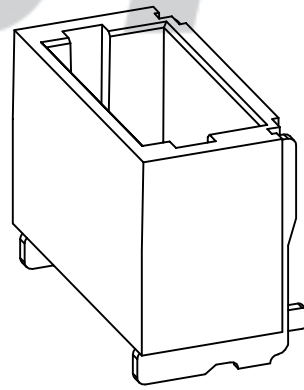
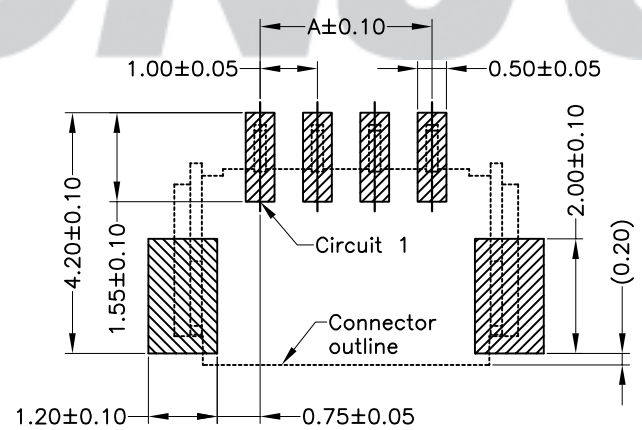
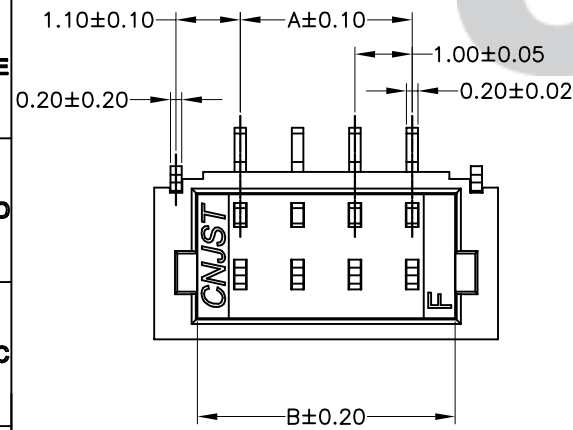
- 1 Contact resistance:  $\leq 20m\Omega$
- 2 Insulation resistance:  $\geq 100M\Omega$
- 3 Rated voltage: 50 V AC DC
- 4 Rated current: 1.0 A AC DC
- 5 Withstand Voltage: 500V AC/minute
- 6 Temperature Range:  $-25^{\circ}C \sim +85^{\circ}C$

ORDER INFORMATION:

**A1001AWV-\*\*-F2MA-R-X**

PART No.  No.OF CIRCUITS:  PLASTIC MATERIAL:

X=Cap  
PACKAGING: R=Reel  
PLATING: A=Tin-plated



Circuits	Dimensions		
	A	B	C
02	1.00	2.50	4.00
03	2.00	3.50	5.00
04	3.00	4.50	6.00
05	4.00	5.50	7.00
06	5.00	6.50	8.00
07	6.00	7.50	9.00
08	7.00	8.50	10.00
09	8.00	9.50	11.00
10	9.00	10.50	12.00
11	10.00	11.50	13.00
12	11.00	12.50	14.00
13	12.00	13.50	15.00
14	13.00	14.50	16.00
15	14.00	15.50	17.00
16	15.00	16.50	18.00
17	16.00	17.50	19.00
18	17.00	18.50	20.00
19	18.00	19.50	21.00
20	19.00	20.50	22.00

Unit: mm

PCB LAYOUT

专利产品

B/O	2016.05.03	NEW RELEASE	
REV.	DATE	DESCRIPTION	APPD.
1			

NO.	DESCRIPTION	QTY	MATERIAL	PLATING/COLOR
③	Cap	1	LCP	Nature
③	Solder Tab	2	Phosphor Bronze	Tin-plated
②	Contacts	2~20	Phosphor Bronze	Tin-plated
①	Insulator	1	LCP (UL94V-0)	Nature

Tolerance  
X.X ±0.30  
X.XX ±0.20  
X.XXX ±0.10  
Angle ±3.0°

Model Name: 1.00mm PITCH 180° WAFER-SMT TYPE  
Model No: A1001AWV-\*\*-F2MA-R-X

SCALE: FULL  
REVISION: B/0

UNIT: mm

**CNJST** 浙江捷仕泰电子有限公司  
ZHEJIANG JIESHITAI ELECTRONIC CO., LTD

Drawn: 蔡忠忠 2016.05.03

Checked: 林旭芝

Approved: 刘祚杰

DWG NO. CNJST/GCCP-0016