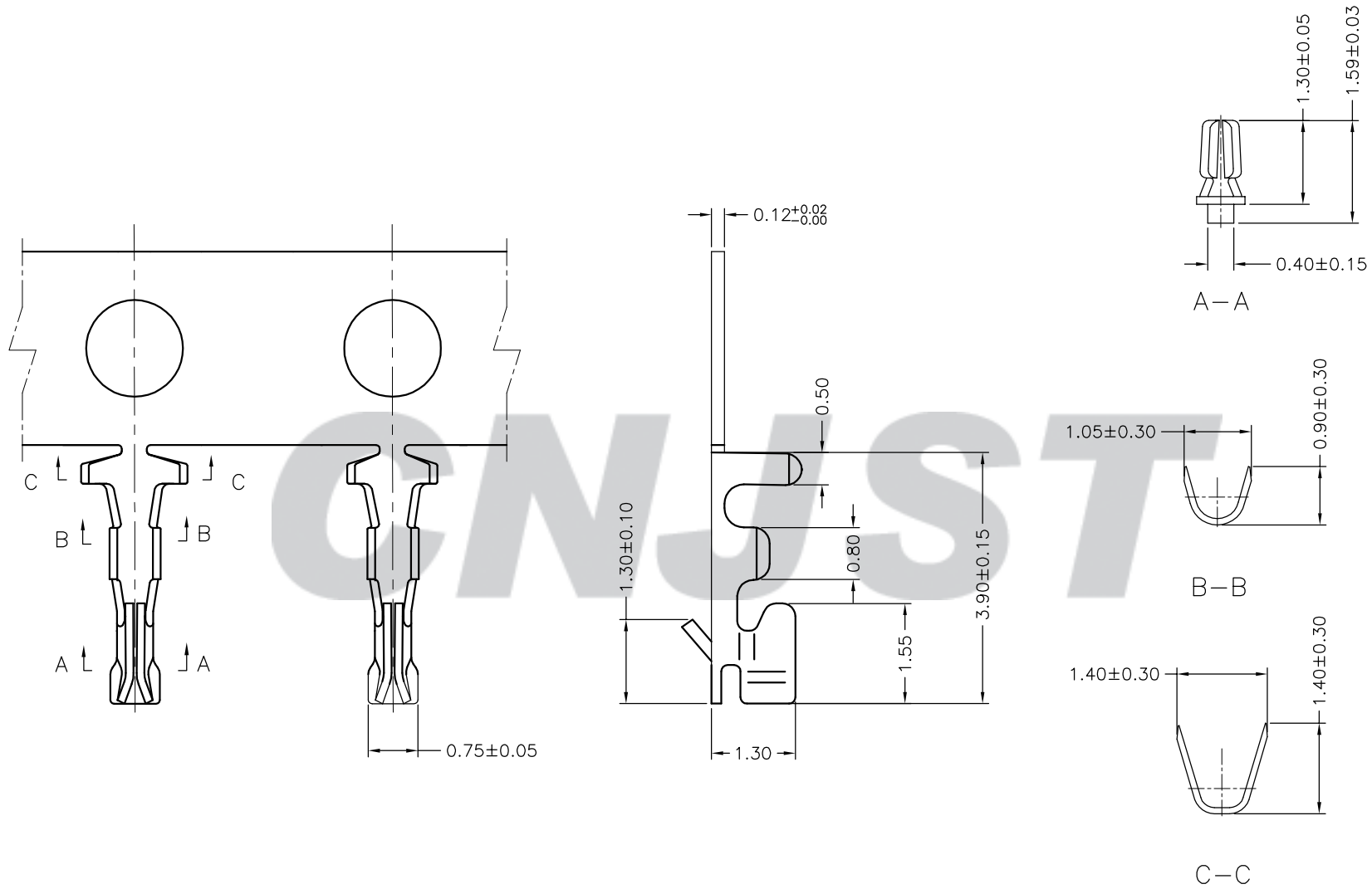
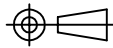


RoHS Compliant

端子图



Tolerance X.X ±0.30 X.XX ±0.20 X.XXX ±0.10 Angle ±3.0°	Model Name: 1.00mm PITCH CRIMP TERMINAL		Drawn: 张育斌 2016.06.13
	Model No: A1001T-P*-Z		
UNIT: mm		SCALE: FULL	REVISION: B/1
		<b>CNJST</b> 浙江捷仕泰电子有限公司 ZHEJIANG JIESHITAI ELECTRONIC CO., LTD	
		Approved: 刘祚杰	DWG NO. CNJST/GCDZ-0001

REV.	DATE	DESCRIPTION	APPD.	Part No	Wire Range	Insulation O.D.	QTY/Reel	Material	Plating
				A1001T-PC-Z	AWG #28~#32	0.60mm(max)	15,000Pcs	Phosphor Bronze	Gold-plated
				A1001T-PA-Z	AWG #28~#32	0.60mm(max)	15,000Pcs	Phosphor Bronze	Tin-plated
2016.06.13		NEW RELEASE							