

RoHS Compliant

成品图

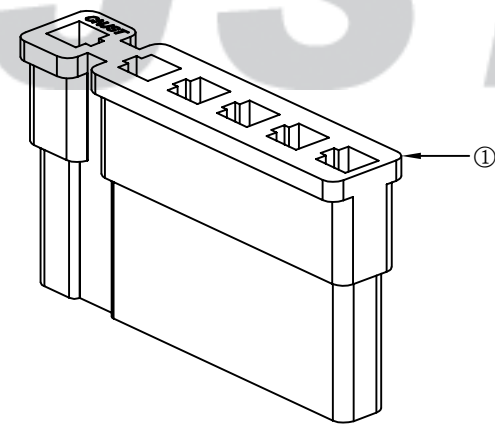
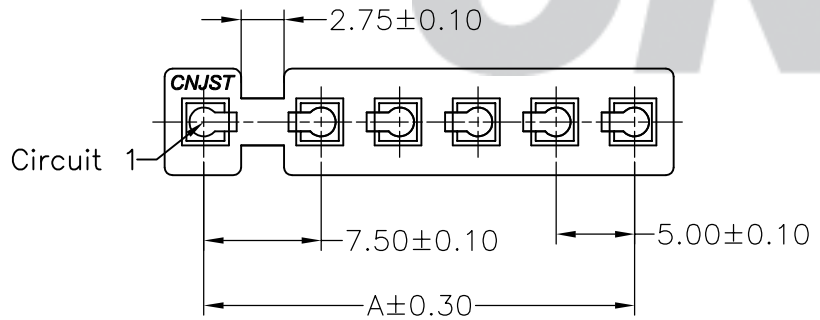
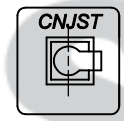
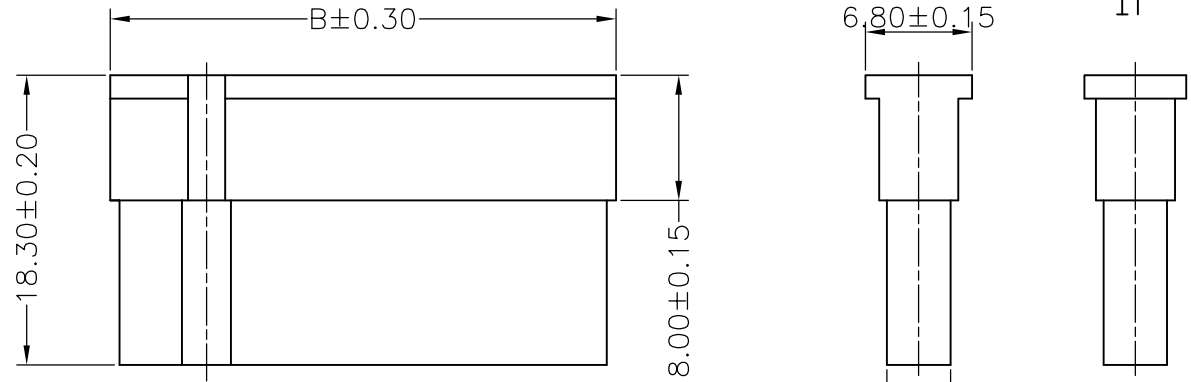
SPECIFICATION

- 1 Contact resistance:  $\leq 10m\Omega$
- 2 Insulation resistance:  $\geq 1000M\Omega$
- 3 Rated voltage: 250 V AC DC
- 4 Rated current: 5.0 A AC DC
- 5 Withstand Voltage: 1500V AC/minute
- 6 Temperature Range:  $-25^{\circ}C \sim +85^{\circ}C$

ORDER INFORMATION:

**A7501Y-\*\*-A5W-P**

PART No.		PACKAGING: P=PE
No. OF CIRCUITS:		PLASTIC MATERIAL: A5W=PA66 (WHITE)
01~06		



Circuits	Dimensions (mm)	
	A	B
01	—	6.50
02	7.50	12.30
03	12.50	17.30
04	17.50	22.30
05	22.50	27.30
06	27.50	32.30

Tolerance X.X ±0.30 X.XX ±0.20 X.XXX ±0.10 Angle ±3.0°	Model Name: 7.50-5.00mm PITCH HOUSING Model No: A7501Y-**-A5W-P	Drawn: 蔡忠忠 2016.05.12
	SCALE: FULL    REVISION: B/0	Checked: 林旭芝
UNIT: mm	<b>CNJST</b> 浙江捷仕泰电子有限公司 ZHEJIANG JIESHITAI ELECTRONIC CO., LTD	Approved: 刘祚杰
		DWG NO. CNJST/GCCP-0118

REV.	DATE	DESCRIPTION	APPD.	NO.	DESCRIPTION	QTY	MATERIAL	PLATING/COLOR
B/0	2016.05.12	NEW RELEASE		①	Insulator	1	PA66 (UL94V-0)	White